



APPLICATION

EMT fans comply with the requirements of ATEX Directive 2014/34/UE, are designed for use in hazard zones excluding mines and mining pits, meets the requirements of group II category 2G/3G - zone 1 and/or 2 and category 2D/3D - zone 21 and/or 22.

ATEX marking:

II 2G Ex h IIB+H2 T3 Gb lub II 2D Ex h IIIC T125°C Db
II 2G Ex h IIB+H2 T4 Gb on request.

CONSTRUCTION

- medium- pressure centrifugal fan with direct drive,
- the impeller is made of aluminum alloy, provided with straight blades is dynamically balanced according to ISO 1940-1,
- the housing is cast in aluminum alloy,
- galvanized protective mesh at inlet and outlet,
- painted in RAL 9005,
- maximum temperature of the transported medium is 60°C,
- ambient temperature range from -20°C to +40°C,
- figure LG270.

MOTOR

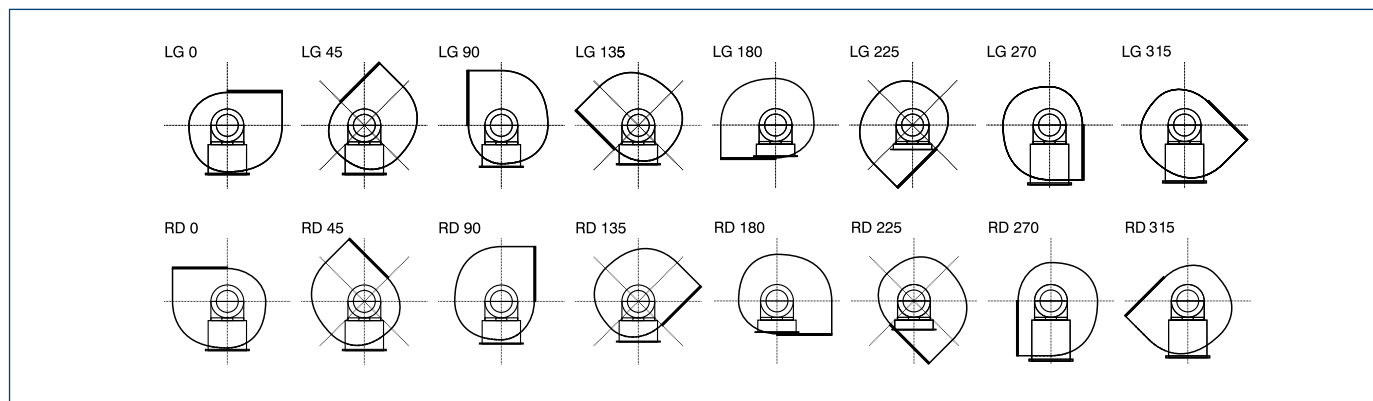
- explosionproof, asynchronous, single-phase, 230V 50Hz
- explosionproof, asynchronous, three-phase, 230/400V 50Hz or 400/690V 50Hz (depending on the model),
- single-speed, 2 or 4 poles,
- degree of protection IP55 (fans of 2G category),
- degree of protection IP65 or IP66 (fans of 2D category, depending on the model),
- degree of protection IP66 (fans of 2G and 2D category suitable for frequency regulation),
- insulation class F,
- thermal protection PTC (depending on the model or motors suitable for frequency regulation),
- VFD models suitable for frequency regulation.

ON REQUEST

- optional positions LG/RD (fan size 70, 160, 200, 290),
- painting in a different color,
- different motor voltage and frequency,
- different motor degree of protection,
- motor equipped with sensors.



POSITIONS



TECHNICAL CHARACTERISTICS

Type	airflow max	pressure max	rated power	speed	maximum absorbed current	voltage	sound pressure level*	weight	article number
	[m ³ /h]	[Pa]	[kW]	[r.p.m.]	[A]	[V]	[dB(A)]	[kg]	
II 2D Ex h IIIC T125° C Db									
EMT-2-03S	370	1090	0,18	2800	1,5	230	74	11,5	45522003
EMT-2-03T	380	1120	0,18	2800	1,05/0,6	230/400	72	9,1	45522000
EMT-2-03T VFD	380	1120	0,18	2800	1,0/0,6	230/400	72	11	425522002-01
EMT-4-03S	185	270	0,12	1400	1,1	230	74	11,5	45522004
EMT-4-03T	190	280	0,12	1400	1,15/0,65	230/400	72	9,1	45522001
EMT-2-25S	410	1090	0,25	2800	1,8	230	78	11,5	45522013
EMT-2-25T	360	1280	0,25	2800	1,55/0,9	230/400	78	9,7	45522010
EMT-2-25T VFD	360	1280	0,25	2800	1,3/0,7	230/400	78	11	425522012
EMT-4-25S	205	275	0,12	1400	1,1	230	78	11,5	45522014
EMT-4-25T	210	290	0,12	1400	1,15/0,65	230/400	78	9,1	45522011
EMT-2-50S	650	1980	0,55	2800	3,4	230	84	18,7	45522023
EMT-2-50T	620	1980	0,55	2800	2,6/1,5	230/400	78	16,7	45522020
EMT-2-50T VFD	620	1980	0,55	2800	2,5/1,45	230/400	78	18,2	425522022
EMT-4-50S	430	490	0,25	1400	2	230	84	18,7	45522024
EMT-4-50T	380	490	0,25	1400	1,5/0,85	230/400	78	15,5	45522021
EMT-2-70S	880	1980	0,75	2800	4,55	230	76	26	45522033
EMT-2-70T	780	2000	0,75	2800	2,45/1,4	230/400	81	24	45522030
EMT-2-70T VFD	780	2000	0,75	2800	3,45/2,0	230/400	81	26	435522032
EMT-4-70S	550	490	0,55	1400	3,7	230	76	26	45522034
EMT-4-70T	550	505	0,55	1400	2,00/1,15	230/400	81	24	45522031
EMT-2-90T	1320	2080	1,1	2800	4,2/2,4	230/400	85	21,2	45522040
EMT-2-90T VFD	1320	2080	1,1	2800	4,5/2,6	230/400	85	22,1	435522042
EMT-4-90S	650	520	0,55	1400	3,7	230	85	22	45522044
EMT-4-90T	660	520	0,55	1400	2,6/1,5	230/400	85	20	45522041
EMT-2-160T	2270	2255	2,2	2800	8,1/4,7	230/400	83	39,9	45522050
EMT-2-160T VFD	2270	2255	2,2	2800	8,65/5,0	230/400	83	39,5	435522052
EMT-4-160S	1135	565	1,1	1400	7,6	230	83	39	45522054
EMT-4-160T	1135	565	1,1	1400	2,7	400	83	37	45522051
EMT-2-200T	1990	2725	2,2	2800	8,10/4,7	230/400	90	43,4	45522060
EMT-2-200T VFD	1990	2725	2,2	2800	8,65/5,0	230/400	90	43	435522062
EMT-4-200S	995	680	1,1	1400	7,6	230	90	42,5	45522064
EMT-4-200T	995	680	1,1	1400	2,7	400	90	40	45522061
EMT-2-290T	3770	2925	4	2800	7,5	400	90	65,6	45522070
EMT-2-290T VFD	3770	2925	4	2800	15,9/9,2	230/400	90	60,6	435522072
EMT-4-290S	1985	730	2,2	1400	12,6	230	90	57,6	45522074
EMT-4-290T	1985	730	2,2	1400	9,0/5,2	230/400	90	55	45522071

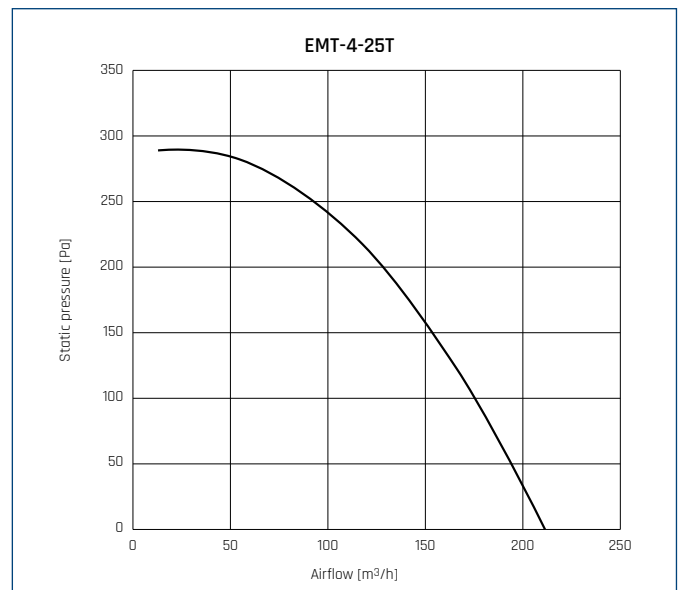
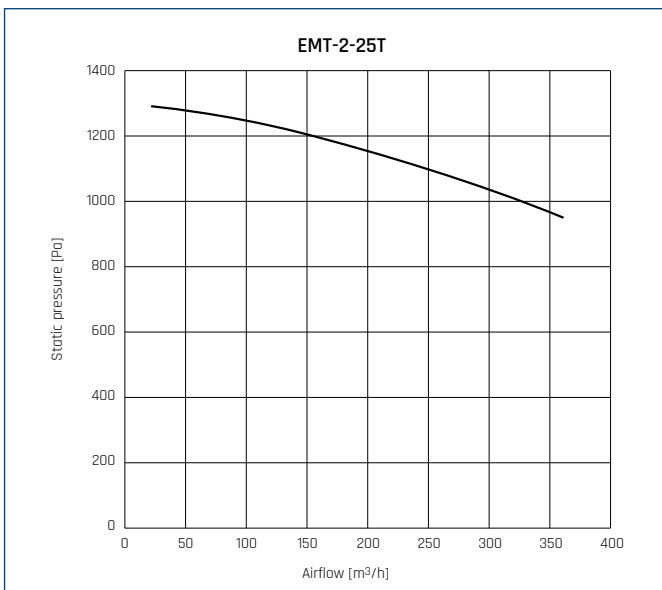
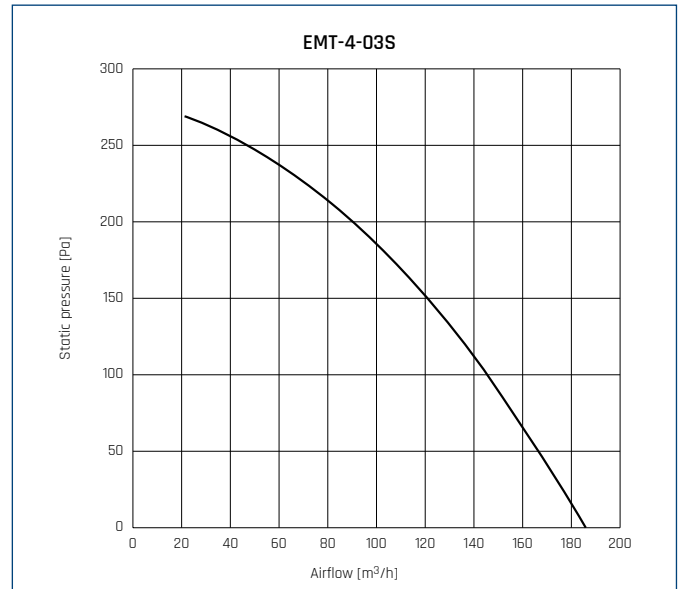
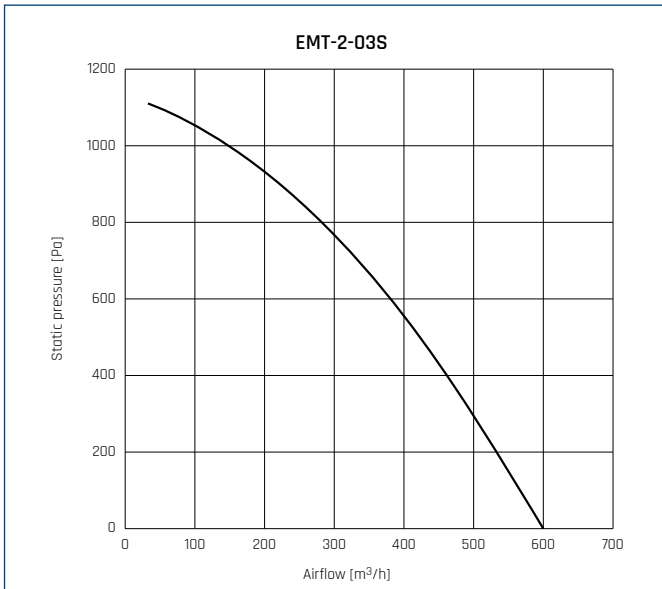
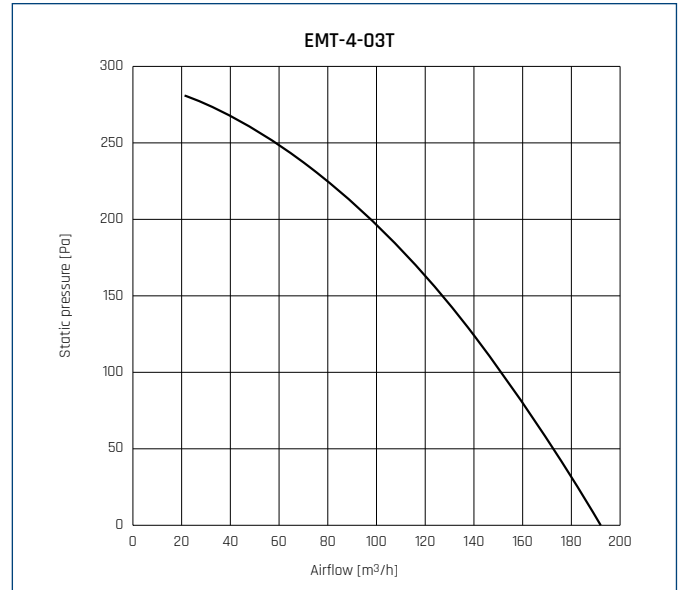
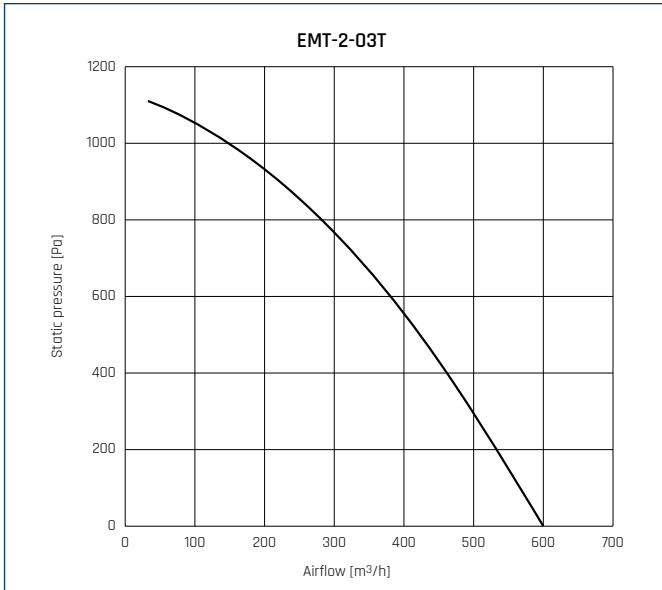
* sound pressure measured at a distance of 1,5m from the fan at q=2/3*Qmax.

TECHNICAL CHARACTERISTICS

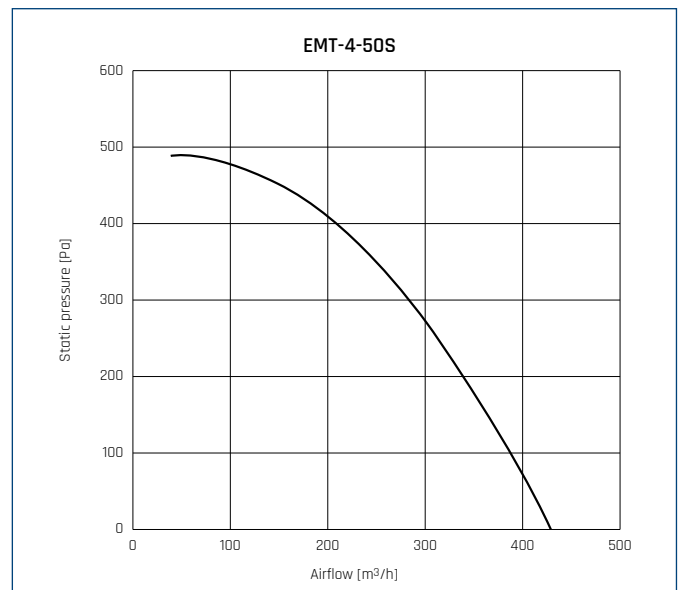
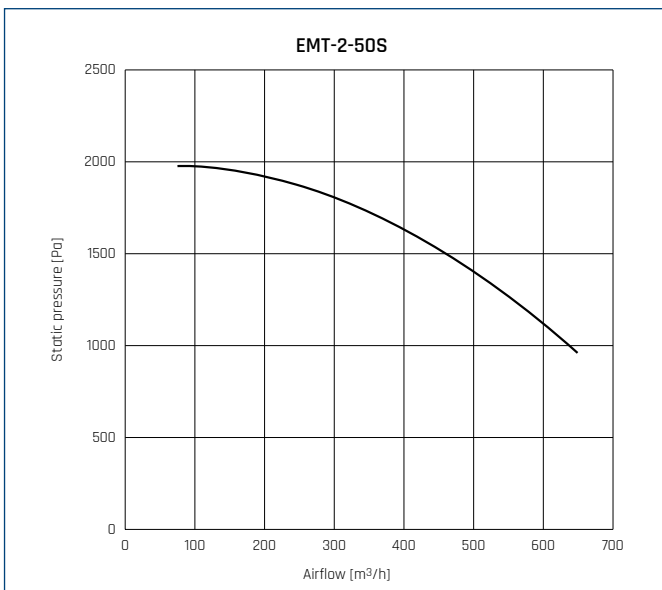
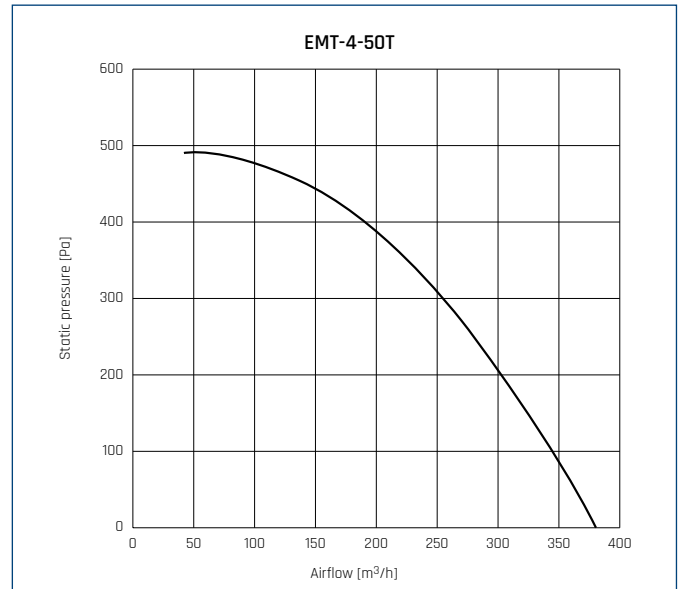
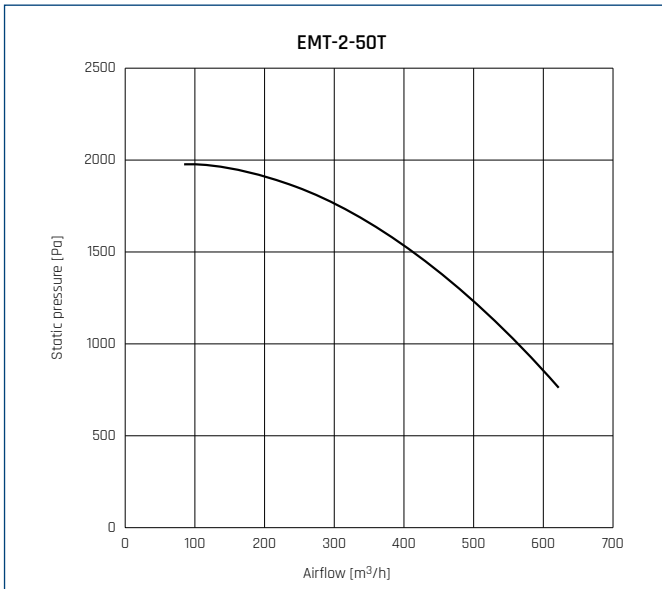
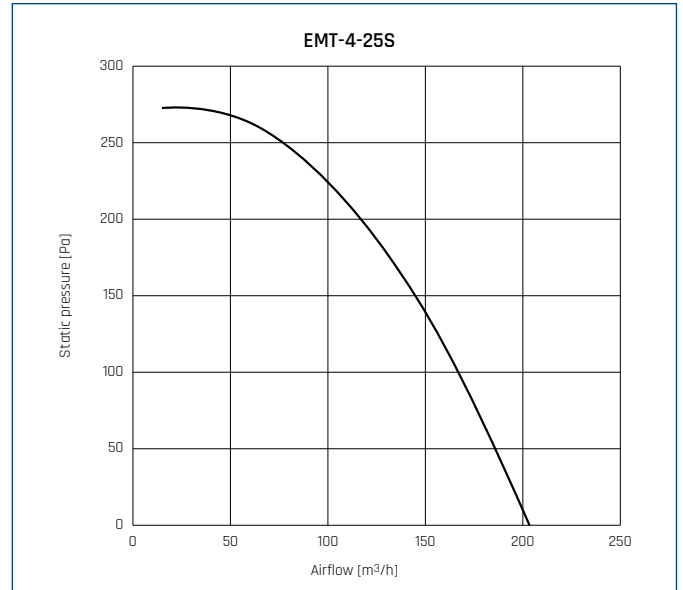
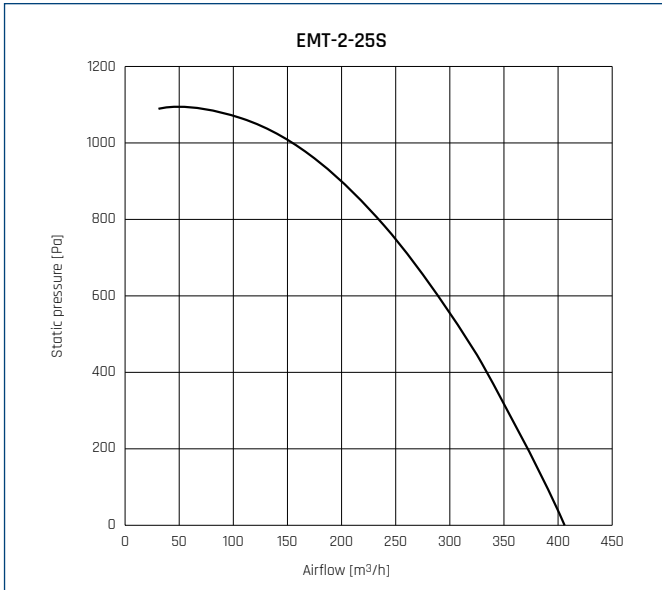
Type	airflow max	pressure max	rated power	speed	maximum absorbed current	voltage	sound pressure level*	weight	article number
	[m³/h]	[Pa]	[kW]	[r.p.m.]	[A]	[V]	[dB(A)]	[kg]	
II 2D Ex h IIIC T125° C Db									
EMT-2-03S	370	1090	0,18	2800	1,5	230	74	11,5	45522103
EMT-2-03T	380	1120	0,18	2800	1,05/0,6	230/400	72	9,1	45522100
EMT-2-03T VFD	380	1120	0,18	2800	1,0/0,6	230/400	72	11	425522102
EMT-4-03S	185	270	0,12	1400	1,1	230	74	11,5	45522104
EMT-4-03T	190	280	0,12	1400	1,15/0,65	230/400	72	9,1	45522101
EMT-2-25S	410	1090	0,25	2800	1,8	230	78	11,5	45522113
EMT-2-25T	360	1280	0,25	2800	1,55/0,9	230/400	78	9,7	45522110
EMT-2-25T VFD	360	1280	0,25	2800	1,3/0,7	230/400	78	11	425522112
EMT-4-25S	205	275	0,12	1400	1,1	230	78	11,5	45522114
EMT-4-25T	210	290	0,12	1400	1,15/0,65	230/400	78	9,1	45522111
EMT-2-50S	650	1980	0,55	2800	3,4	230	84	18,7	45522123
EMT-2-50T	620	1980	0,55	2800	2,6/1,5	230/400	78	16,7	45522120
EMT-2-50T VFD	620	1980	0,55	2800	2,5/1,45	230/400	78	18,2	425522122
EMT-4-50S	430	490	0,25	1400	2	230	84	18,7	45522124
EMT-4-50T	380	490	0,25	1400	1,5/0,85	230/400	78	15,5	45522121
EMT-2-70S	880	1980	0,75	2800	4,55	230	76	26	45522133
EMT-2-70T	780	2000	0,75	2800	2,45/1,4	230/400	81	24	45522130
EMT-2-70T VFD	780	2000	0,75	2800	3,45/2,0	230/400	81	26	435522132
EMT-4-70S	550	490	0,55	1400	3,7	230	76	26	45522134
EMT-4-70T	550	505	0,55	1400	2,00/1,15	230/400	81	24	45522131
EMT-2-90T	1320	2080	1,1	2800	4,2/2,4	230/400	85	21,2	45522140
EMT-2-90T VFD	1320	2080	1,1	2800	4,5/2,6	230/400	85	22,1	435522142
EMT-4-90S	650	520	0,55	1400	3,7	230	85	22	45522144
EMT-4-90T	660	520	0,55	1400	2,6/1,5	230/400	85	20	45522141
EMT-2-160T	2270	2255	2,2	2800	8,1/4,7	230/400	83	39,9	45522150
EMT-2-160T VFD	2270	2255	2,2	2800	8,65/5,0	230/400	83	39,5	435522152
EMT-4-160S	1135	565	1,1	1400	7,6	230	83	39	45522154
EMT-4-160T	1135	565	1,1	1400	2,7	400	83	37	45522151
EMT-2-200T	1990	2725	2,2	2800	8,10/4,7	230/400	90	43,4	45522160
EMT-2-200T VFD	1990	2725	2,2	2800	8,65/5,0	230/400	90	43	435522162
EMT-4-200S	995	680	1,1	1400	7,6	230	90	42,5	45522164
EMT-4-200T	995	680	1,1	1400	2,7	400	90	40	45522161
EMT-2-290T	3770	2925	4	2800	7,5	400	90	65,6	45522170
EMT-2-290T VFD	3770	2925	4	2800	15,9/9,2	230/400	90	60,6	435522172
EMT-4-290S	1985	730	2,2	1400	12,6	230	90	57,6	45522174
EMT-4-290T	1985	730	2,2	1400	9,0/5,2	230/400	90	55	45522171

* sound pressure measured at a distance of 1,5m from the fan at q=2/3*Qmax.

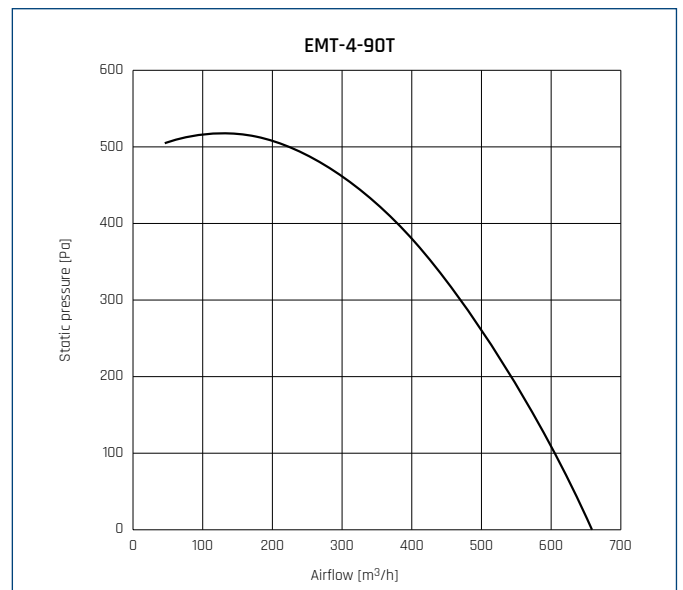
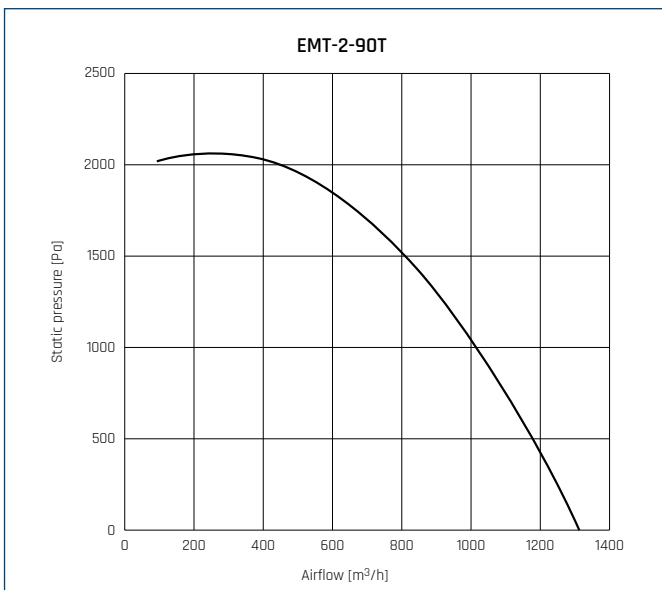
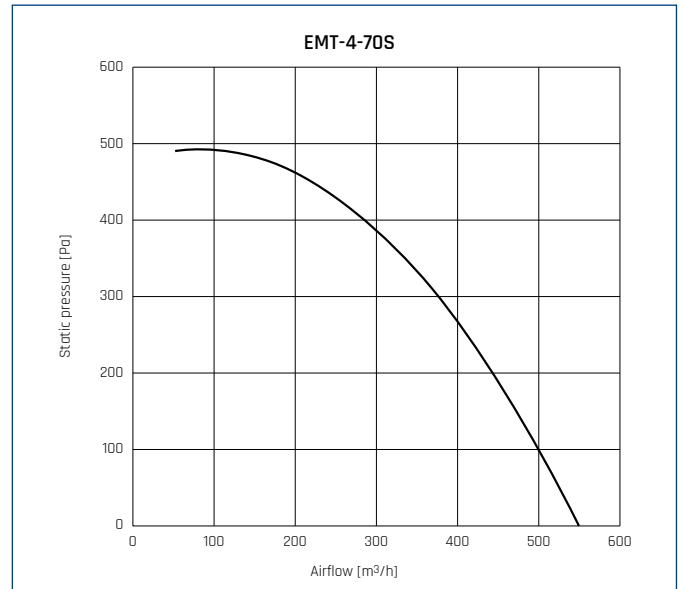
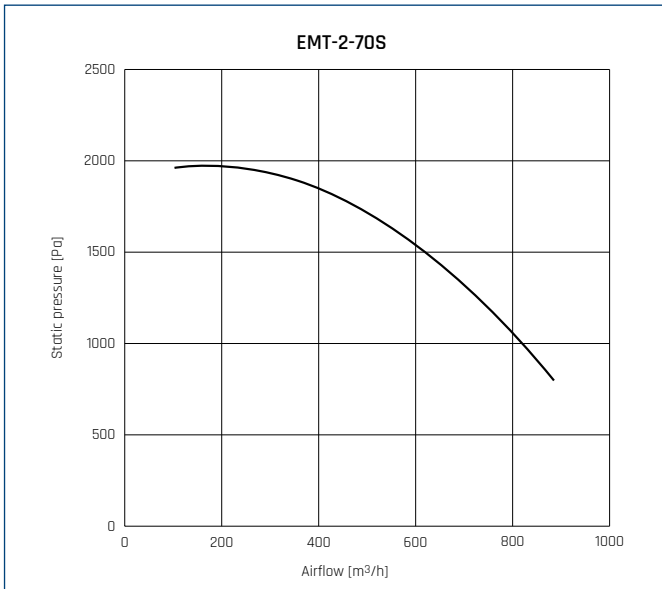
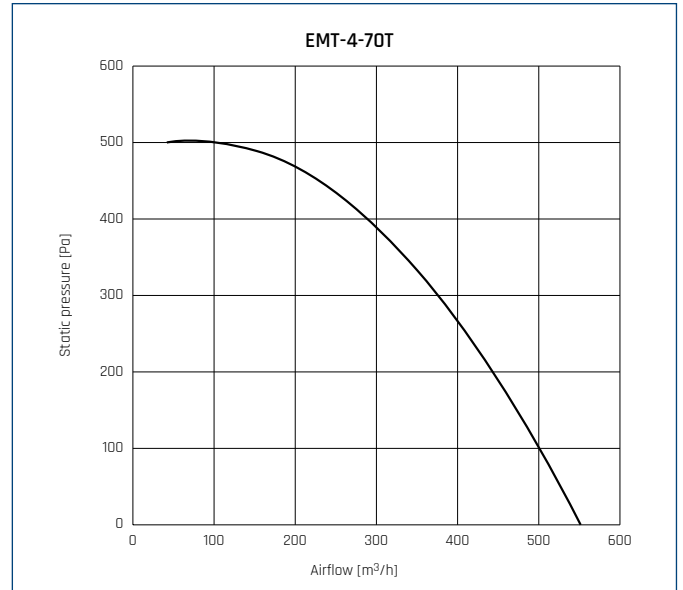
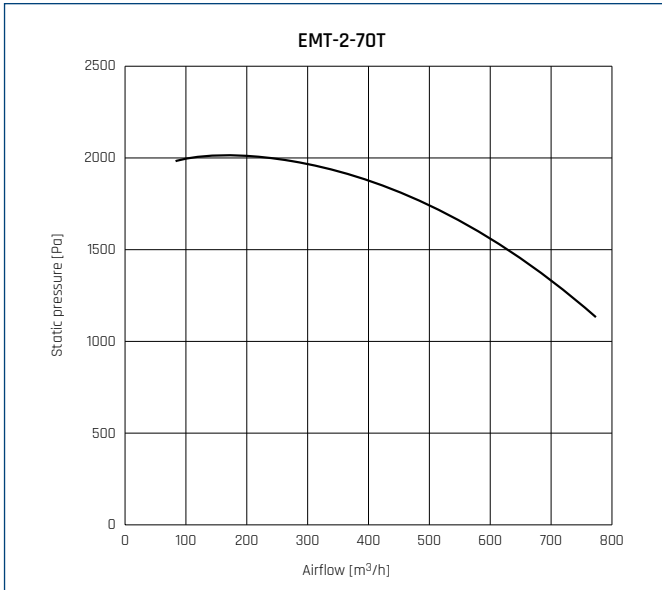
PERFORMANCE CURVES



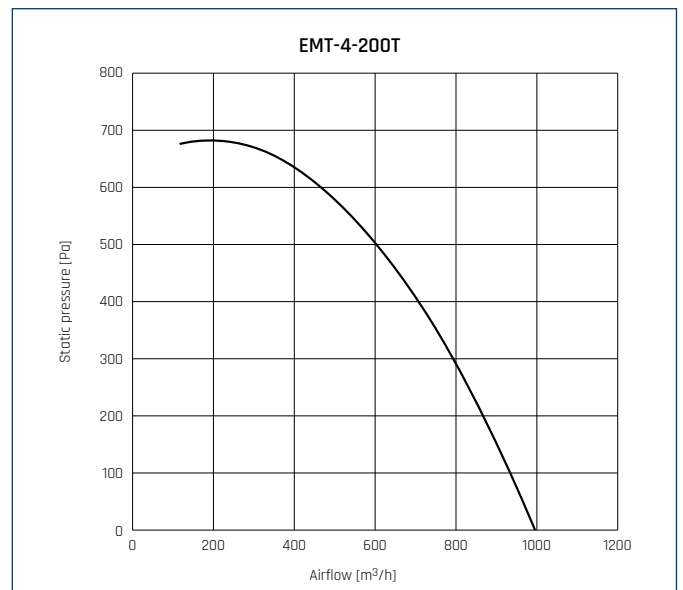
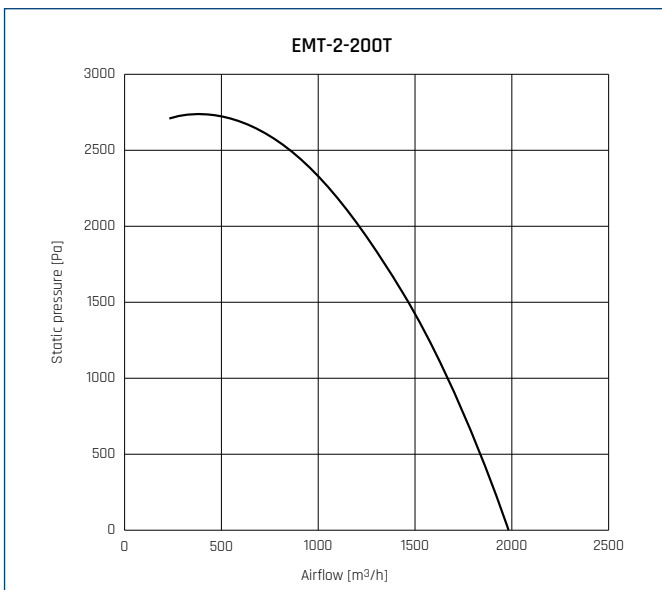
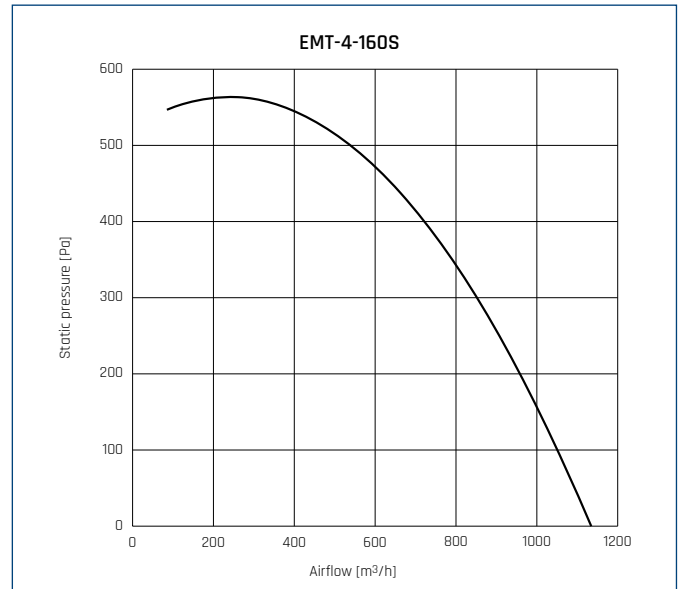
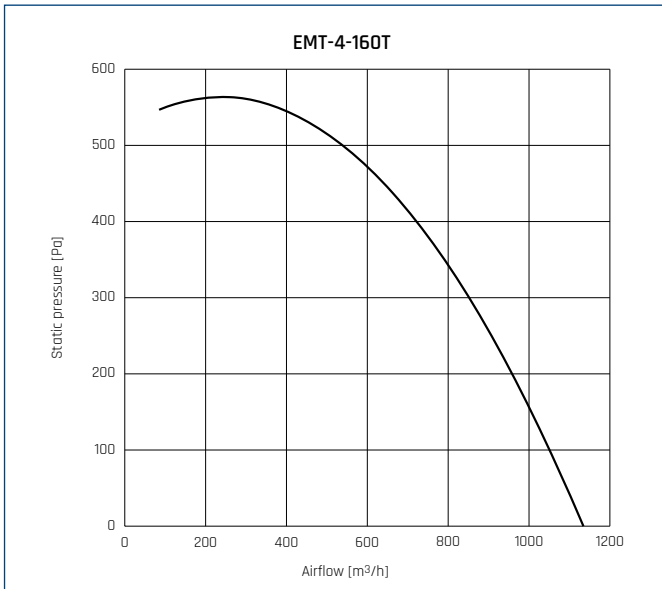
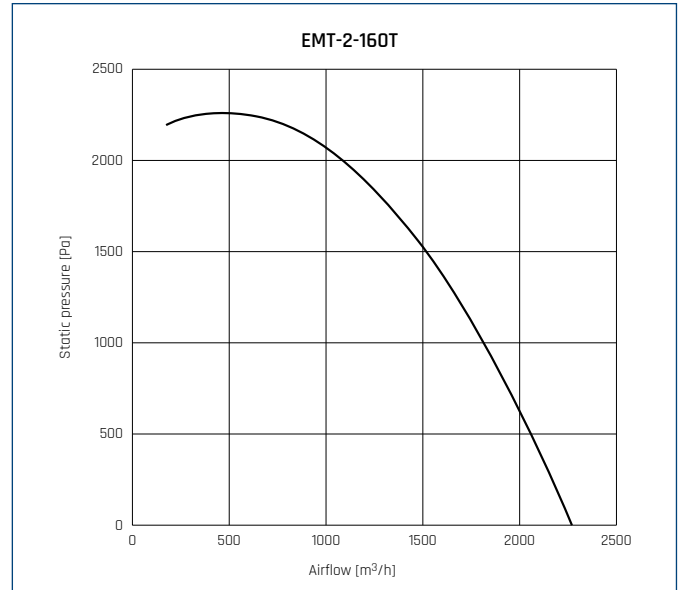
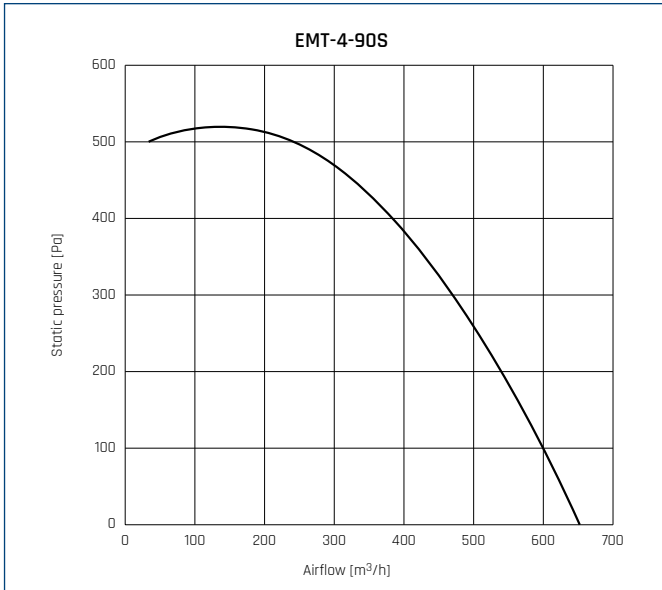
PERFORMANCE CURVES



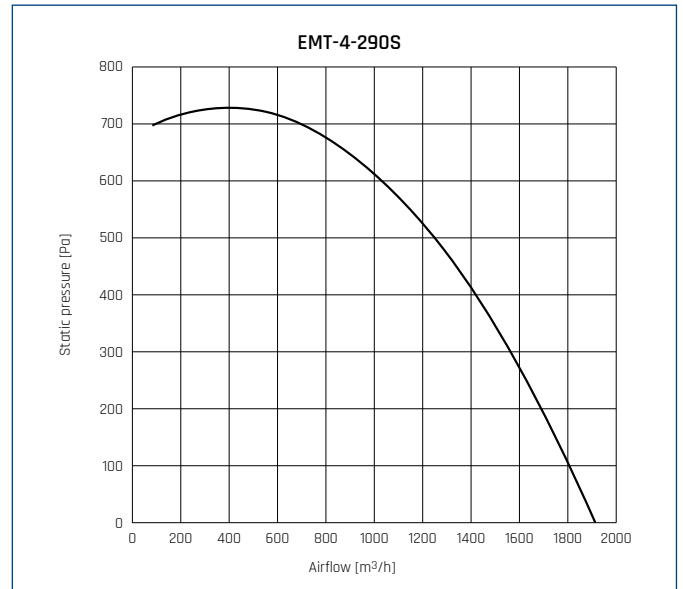
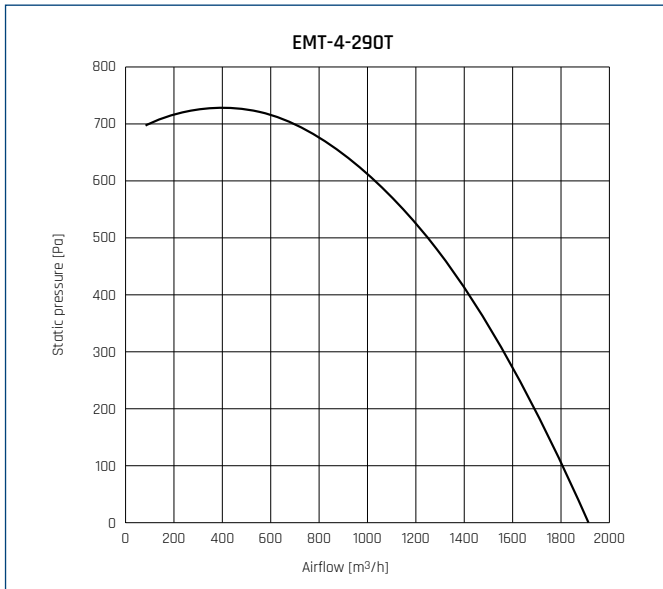
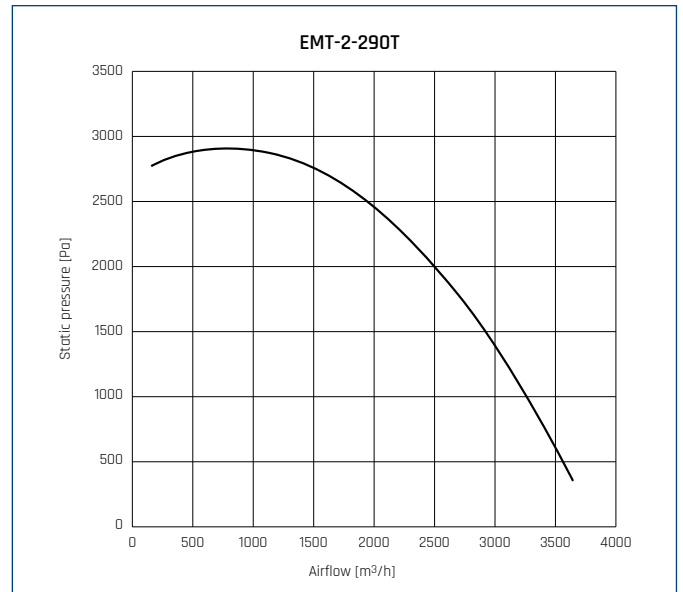
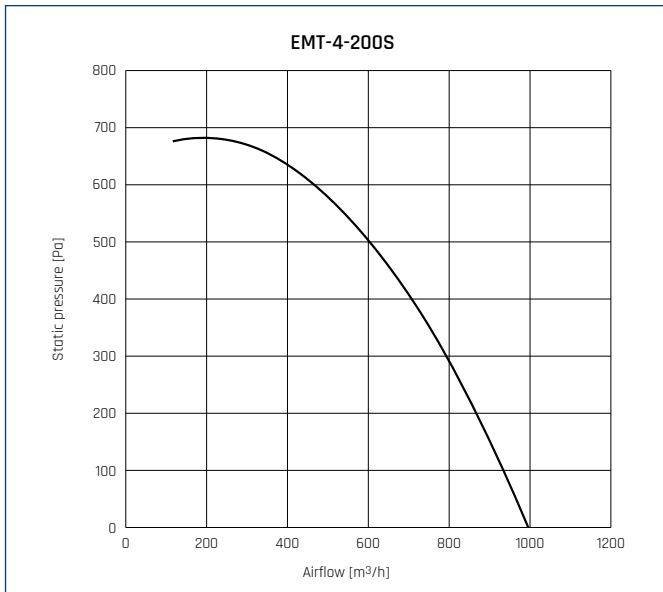
PERFORMANCE CURVES



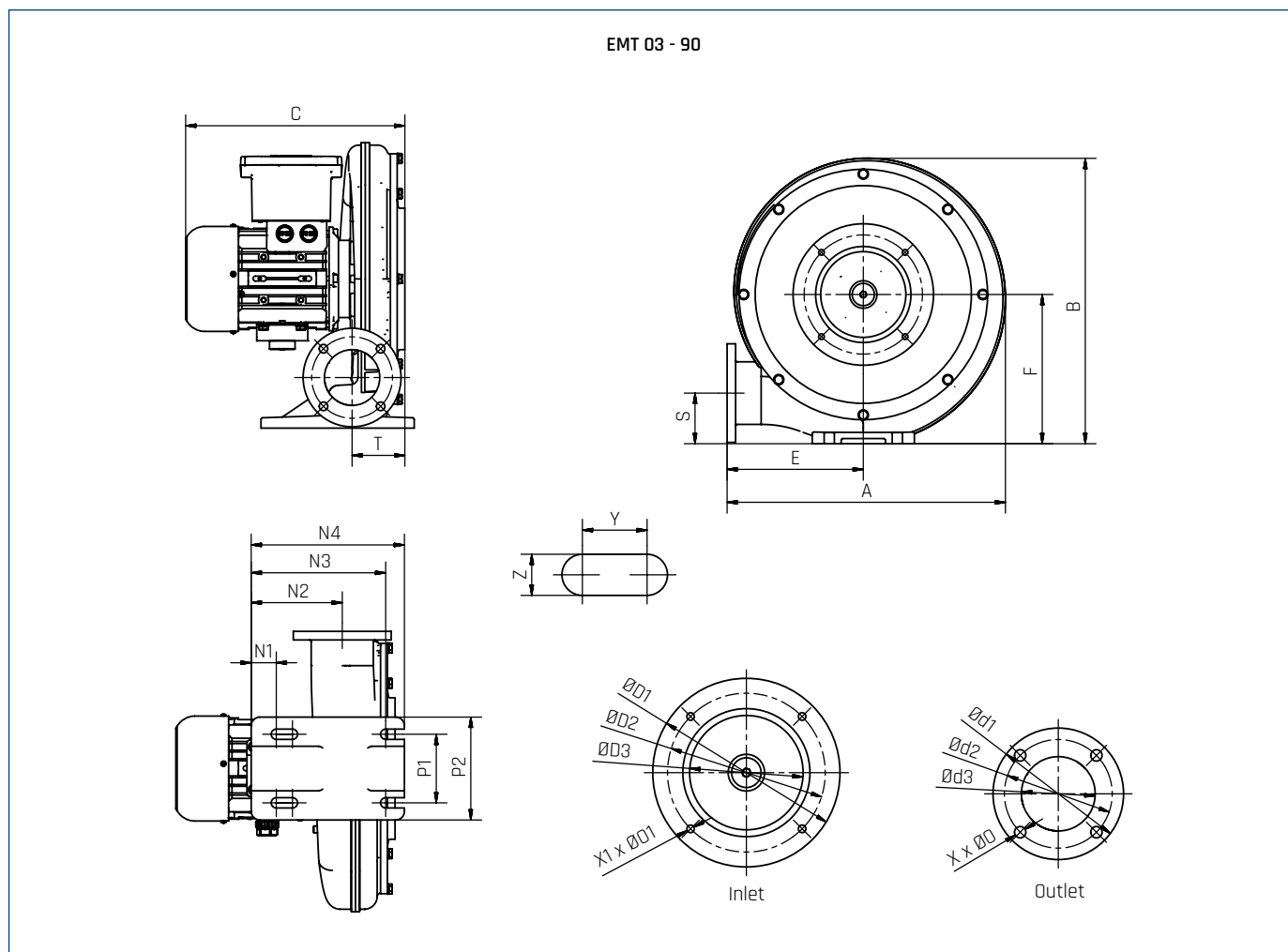
PERFORMANCE CURVES



PERFORMANCE CURVES



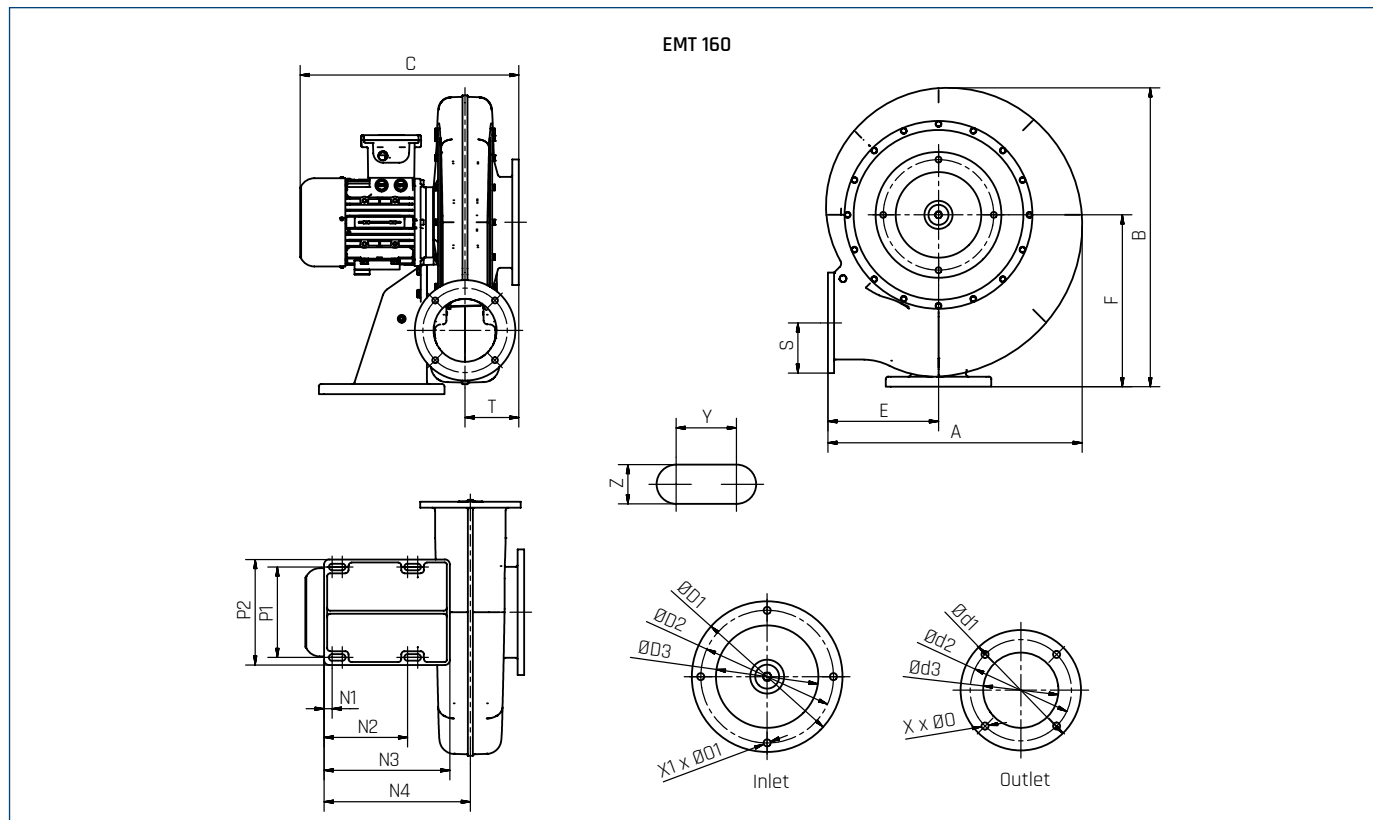
DIMENSION [mm]



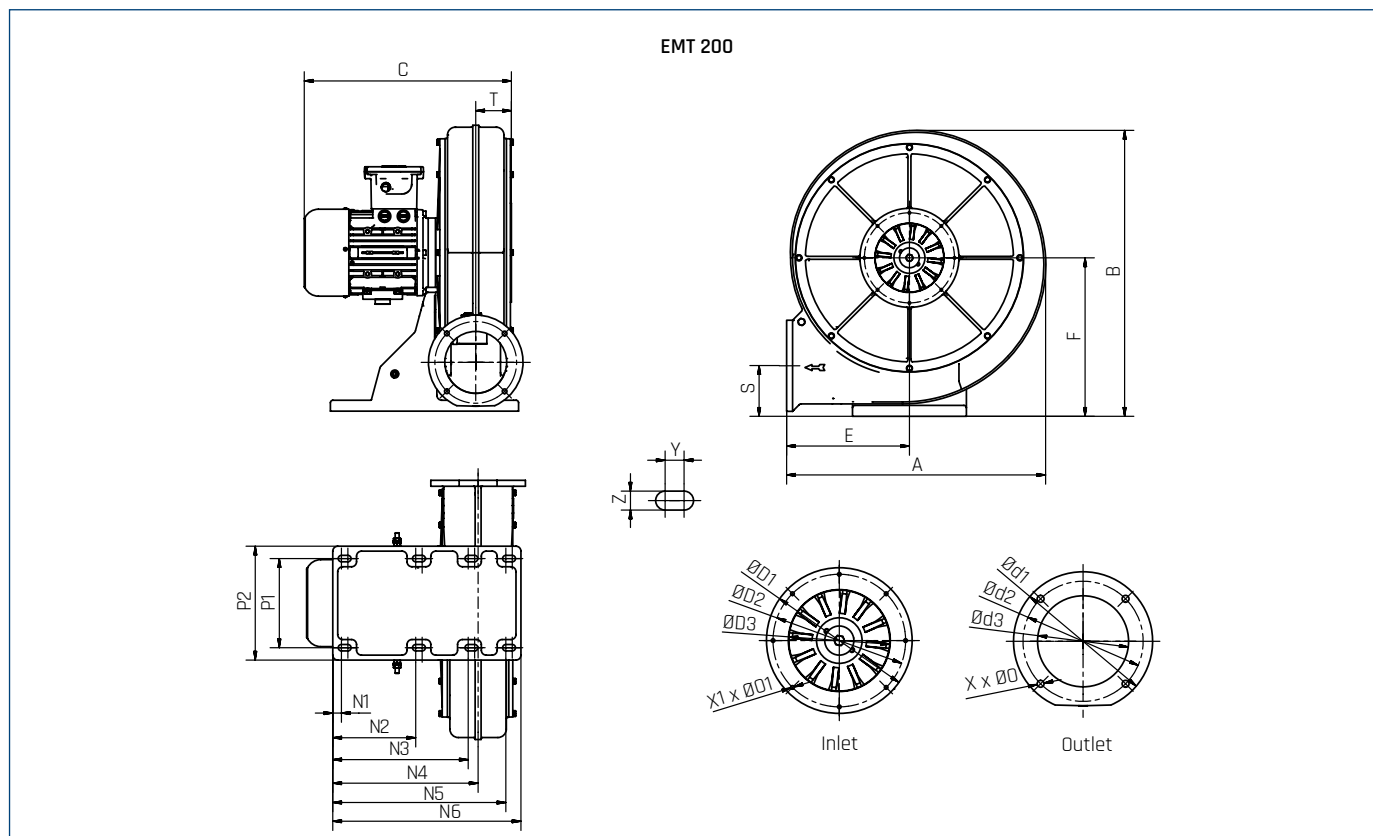
Type	A	B	C*	Ød1	Ød2	Ød3	ØD1	ØD2	ØD3	E	F	N1	N2	N3	N4	Ø0	Ø1	P1	P2	S	T	X	X1	Y	Z
EMT 03	327	333	258	115	95	65	165	139	100	160	174	29,5	107	158	180	10	6,6	80	120	59	62	4	4	19	12
EMT 25	327	333	258	115	95	65	165	139	100	160	174	29,5	107	158	180	10	6,6	80	120	59	62	4	4	19	12
EMT 50	433	464	295	130	112	80	165	139	107	200	246	45	155	214,5	230	11	4,9	140	190	65	76	4	4	20	13
EMT 70	451	515	344	165	139	100	200	182	138	210	290	46,5	156	215	240	9,5	6,6	140	200	82,5	58	4	4	17	13
EMT 90	453	486	348	160	135	100	200	182	138	210	261	45	155	224,5	240	11	6,6	140	190	80	85	4	4	20	13

* dimension C depends on the motor used

DIMENSION [mm]



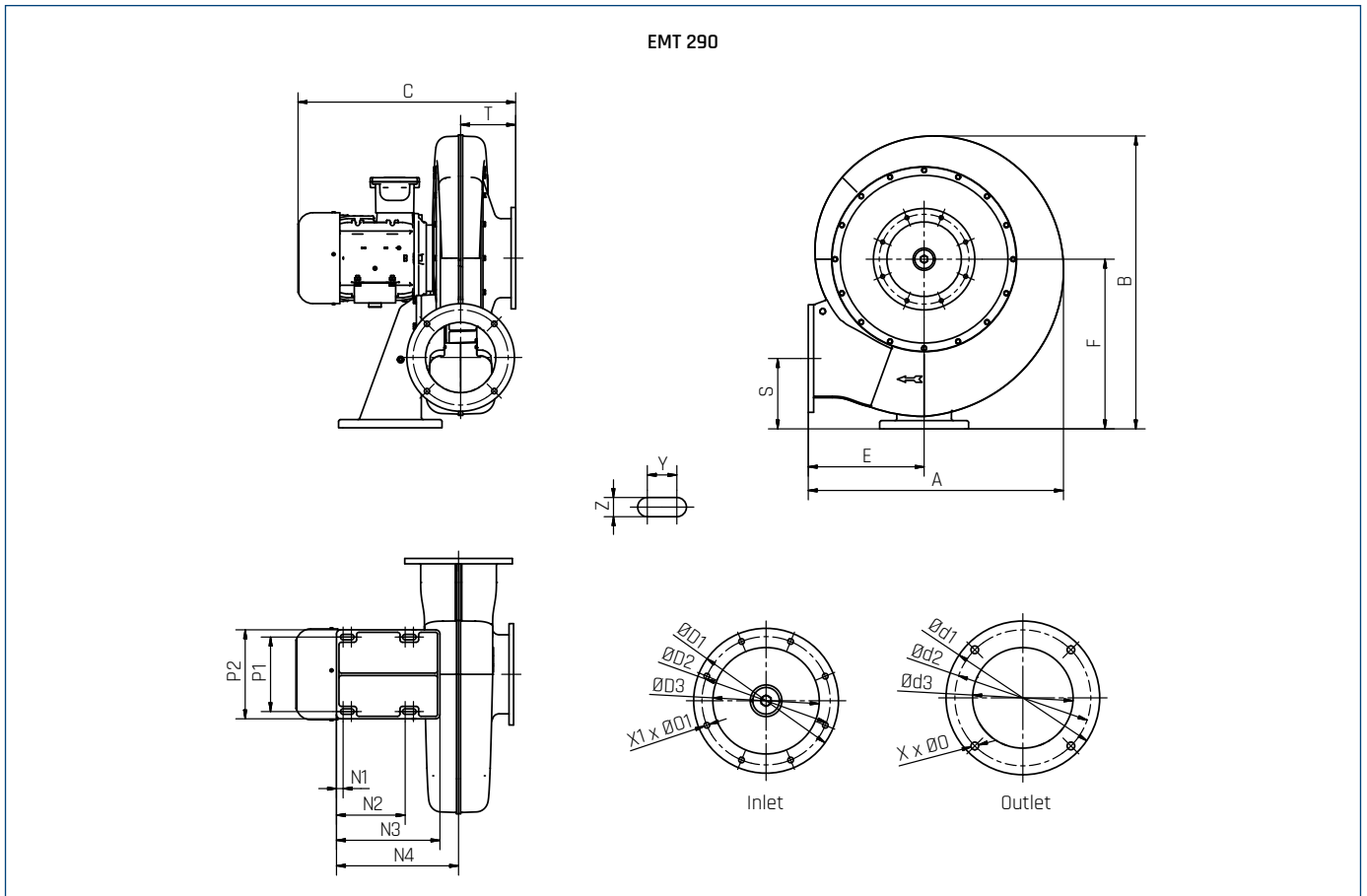
Type	A	B	C*	Ød1	Ød2	Ød3	ØD1	ØD2	ØD3	E	F	N1	N2	N3	N4	Ø0	Ø1	P1	P2	S	T	X	X1	Y	Z
EMT 160	506	595	435	200	168	125	250	220	170	220	342	16	166	250	291	12	12	180	210	100	107	4	4	20	13



Type	A	B	C*	Ød1	Ød2	Ød3	ØD1	ØD2	ØD3	E	F	N1	N2	N3	N4	Ø0	Ø1	P1	P2	S	T	X	X1	Y	Z
EMT 200	523	577	418	191	165	125	200	182	139	248	320	17,5	167,5	273,5	293,5	9,5	4,9	180	230	102,5	72	4	8	13	13

* dimension C depends on the motor used

DIMENSION [mm]



Type	A	B	C*	Ød1	Ød2	Ød3	ØØ1	ØØ2	ØØ3	E	F	N1	N2	N3	N4	ØØ	Ø1	P1	P2	S	T	X	X1	Y	Z
EMT 290	617	708	526	245	217	180	260	230	170	280	410	16	166	250	295	13	9,5	180	215	170	133	4	8	20	13

* dimension C depends on the motor used

ASSEMBLY ACCESSORIES



1	Outlet			Inlet		
	2	3	4	5	6	7
Type	outlet connection	welding flange	anti-vibration connector	suction connection	welding flange	anti-vibration connector
EMT 03	45510450	45515450	42519925	45510440	45515440	42519937-03
EMT 25	45510450	45515450	42519925	45510440	45515440	42519937-03
EMT 50	45510465	45515465	42519925	46515040	45515460	42519930-02
EMT 70	46515040-01	45515500	42519936-01	46515050	45515510	42519931-01
EMT 90	45510470	45515470	42519936-01	46515050	45515510	42519932-02
EMT 160	25510485	45515520	42519942-01	25510480	45515525	42519942-02
EMT 200	46515060-10	45515580	42519940-02	45510475	45515510	42519932-02
EMT 290	25510595	45515590	42519943	25510590	45510540	42519943-01



ELECTRICAL ACCESSORIES

Fan	Service switch	ATEX safety switch	Inverter	UEK-230
EMT-2-03S	R-S 1-F + SP, 16A			
EMT-2-03T	R-S 3-F + SP, 16A	R-B 3-F ATEX + SP, 10A		
EMT-2-03T	R-S 3-F + SP, 16A	R-B 3-F ATEX + SP, 10A	L 0,4 kW	U-EK230E
EMT-4-03S	R-S 1-F + SP, 16A			
EMT-4-03T	R-S 3-F + SP, 16A	R-B 3-F ATEX + SP, 10A		
EMT-2-25S	R-S 1-F + SP, 16A			
EMT-2-25T	R-S 3-F + SP, 16A	R-B 3-F ATEX + SP, 10A		
EMT-2-25T	R-S 3-F + SP, 16A	R-B 3-F ATEX + SP, 10A	L 0,4 kW	U-EK230E
EMT-4-25S	R-S 1-F + SP, 16A			
EMT-4-25T	R-S 3-F + SP, 16A	R-B 3-F ATEX + SP, 10A		
EMT-2-50S	R-S 1-F + SP, 16A			
EMT-2-50T	R-S 3-F + SP, 16A	R-B 3-F ATEX + SP, 10A		
EMT-2-50T	R-S 3-F + SP, 16A	R-B 3-F ATEX + SP, 10A	L 0,75 kW	U-EK230E
EMT-4-50S	R-S 1-F + SP, 16A			
EMT-4-50T	R-S 3-F + SP, 16A	R-B 3-F ATEX + SP, 10A		
EMT-2-70S	R-S 1-F + SP, 16A			
EMT-2-70T	R-S 3-F + SP, 16A	R-B 3-F ATEX + SP, 10A		
EMT-2-70T	R-S 3-F + SP, 16A	R-B 3-F ATEX + SP, 10A	L 0,75 kW	U-EK230E
EMT-4-70S	R-S 1-F + SP, 16A			
EMT-4-70T	R-S 3-F + SP, 16A	R-B 3-F ATEX + SP, 10A		
EMT-2-90T	R-S 3-F + SP, 16A	R-B 3-F ATEX + SP, 10A		
EMT-2-90T	R-S 3-F + SP, 16A	R-B 3-F ATEX + SP, 10A	L 1,5 kW	U-EK230E
EMT-4-90S	R-S 1-F + SP, 16A			
EMT-4-90T	R-S 3-F + SP, 16A	R-B 3-F ATEX + SP, 10A		
EMT-2-160T	R-S 3-F + SP, 16A	R-B 3-F ATEX + SP, 10A		
EMT-2-160T	R-S 3-F + SP, 16A	R-B 3-F ATEX + SP, 10A	L 2,2 kW	U-EK230E
EMT-4-160S	R-S 1-F + SP, 16A			
EMT-4-160T	R-S 3-F + SP, 16A	R-B 3-F ATEX + SP, 10A		
EMT-2-200T	R-S 3-F + SP, 16A	R-B 3-F ATEX + SP, 10A		
EMT-2-200T	R-S 3-F + SP, 16A	R-B 3-F ATEX + SP, 10A	L 2,2 kW	U-EK230E
EMT-4-200S	R-S 1-F + SP, 16A			
EMT-4-200T	R-S 3-F + SP, 16A	R-B 3-F ATEX + SP, 10A		
EMT-2-290T	R-S 3-F + SP, 16A	R-B 3-F ATEX + SP, 10A		
EMT-2-290T	R-S 3-F + SP, 16A	R-B 3-F ATEX + SP, 10A	L 5,5 kW	U-EK230E
EMT-4-290S	R-S 1-F + SP, 16A			
EMT-4-290T	R-S 3-F + SP, 16A	R-B 3-F ATEX + SP, 10A		

Article numbers

R-S 1-F + SP, 16A	91040907-02	R-S 3-F + SP, 16A	91040908	R-S 3-F + SP, 25A	91040910	R-S 3-F + SP, 40A	91040924	R-S 3-F + SP, 6B, 25A	91040911
R-S 3-F + SP, 6B, 40A	91040911-02	R-B 3-F ATEX + SP, 10A	44025761	R-B 3-F ATEX + SP, 20A	44025762	GEAR SWITCH 0/Y/YY	91040913	L 0,4 kW	40016302
L 0,75 kW	40016312	L 1,5 kW	40016322	L 2,2 kW	40016332	L 5,5 kW	40016362	U-EK230E	91040858

