

APPLICATION

Fan dedicated for transporting aggressive gases without pollution.

Examples of use:

- pressing air in production processes,
- cooling, drying systems,
- refrigeration and air-conditioning equipment.

CONSTRUCTION

- low-pressure radial fan with direct drive,
- the impeller is made of 1.4301 welded stainless steel sheet with forward curved blades, dynamically balanced according to ISO 1940-1,
- the housing is made of 1.4301 welded stainless steel sheet,
- model 160 is equipped with a motor support,
- maximum temperature of the transported medium is 80°C,
- ambient temperature range from -20°C to + 40°C,
- GFS are supplied in LG270 configuration (except model 160),
- GFS/2-160 are supplied in LG90 configuration.

MOTOR

- asynchronous single-phase 230V 50Hz ,
- asynchronous, three-phase 230/400V 50Hz,
- degree of protection IP55,
- insulation class F,
- three-phase motors are adapted for frequency converter.

SPECIAL EXECUTIONS

- optional configuration LG/RD,
- motor with voltage and frequency of power different than standard,
- single-phase motor adopted voltage regulation,
- motor with other than standard degree of protection,
- motor equipped with sensors or additional cooling,
- ambient temperature range below -20°C and above +40°C.

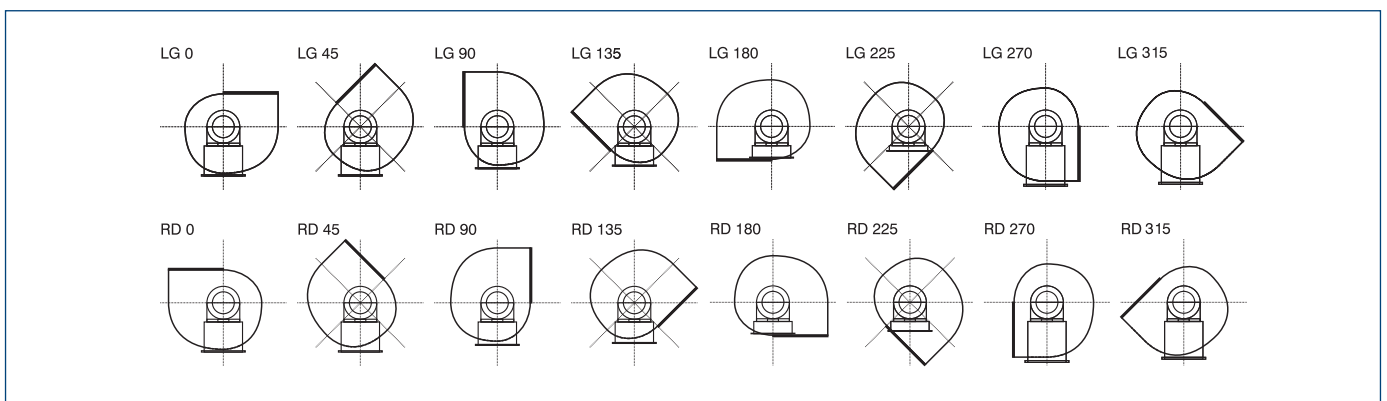


WWW



CE

FIGURES



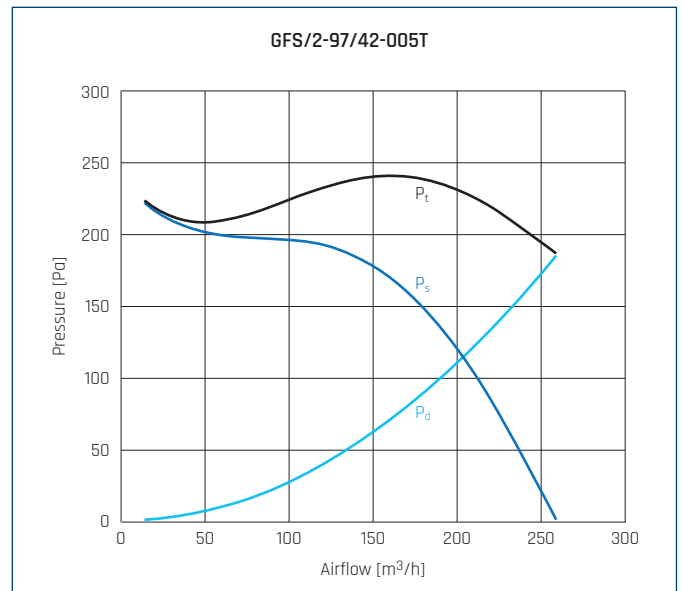
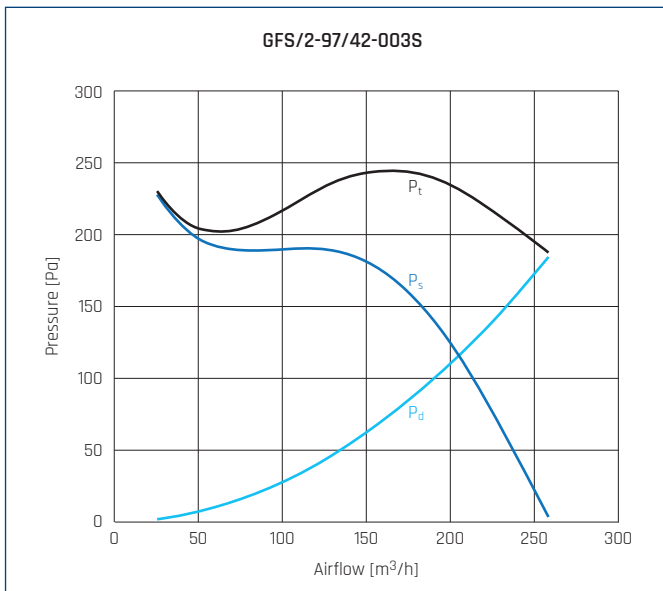
TECHNICAL CHARACTERISTICS

Type	airflow max	pressure max	maximum absorbed power	speed	maximum absorbed current	voltage	capacitor	sound pressure level*	weight	article number
	[m ³ /h]	[Pa]	[kW]	[r.p.m.]	[A]	[V]	[μF]	[dB(A)]	[kg]	
GFS/2-97/42-003S	260	245	0,03	2850	0,9	230	4	48	4,1	45031010
GFS/2-97/42-005T	260	240	0,05	2900	0,55/0,32	230/400	-	48	4	45031020
GFS/2-108/42-012S	300	315	0,12	2800	1,3	230	5	57	4,4	45031030
GFS/2-108/42-009T	325	350	0,09	2820	0,60/0,35	230/400	-	57	4,3	45031040
GFS/2-120/52-012S	525	415	0,12	2800	1,3	230	5	66	5,4	45031050
GFS/2-120/52-012T	525	415	0,12	2800	0,70/0,40	230/400	-	66	5,2	45031060
GFS/2-133/62-025S	750	590	0,25	2760	1,9	230	10	68	6,4	45031070
GFS/2-133/62-025T	750	590	0,25	2760	1,10/0,65	230/400	-	68	6,3	45031080
GFS/2-146/62-025S	870	675	0,25	2760	1,9	230	10	69	7,4	45031090
GFS/2-146/62-025T	760	620	0,25	2760	1,10/0,65	230/400	-	69	7,2	45031100
GFS/2-160/62-037S	1070	875	0,37	2760	3	230	12	71	11,2	45031110
GFS/2-160/62-037T	940	820	0,37	2800	1,75/1,0	230/400	-	71	9,9	45031120
GFS/2-180/62-075S	1530	1160	0,75	2800	5	230	25	73	14,2	45031130
GFS/2-180/62-075T	1315	1190	0,75	2890	2,95/1,70	230/400	-	73	15,1	435031140
GFS/2-200/74-110S	1810	1170	1,1	2800	7,2	230	30	79	19,2	45031160
GFS/2-200/74-110T	1735	1450	1,1	2890	4,30/2,50	230/400	-	79	19,5	435031170

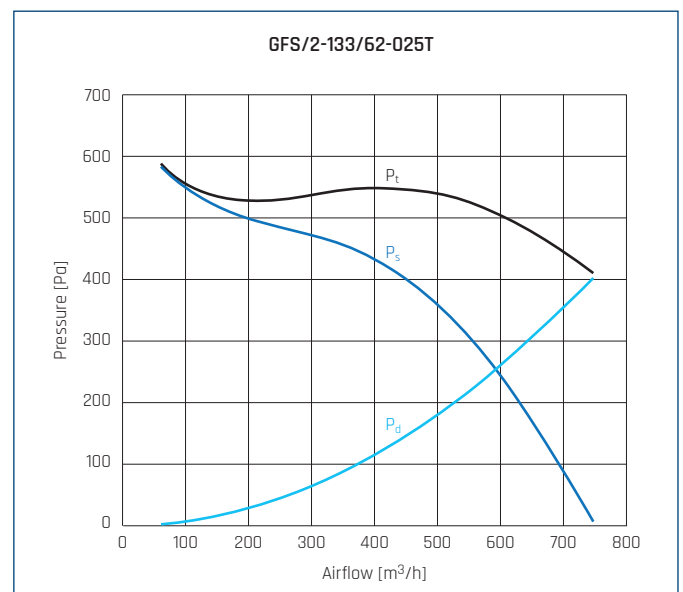
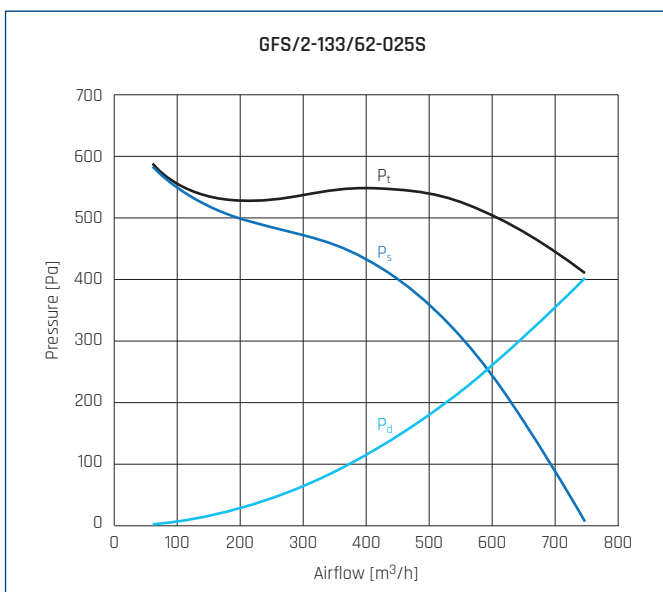
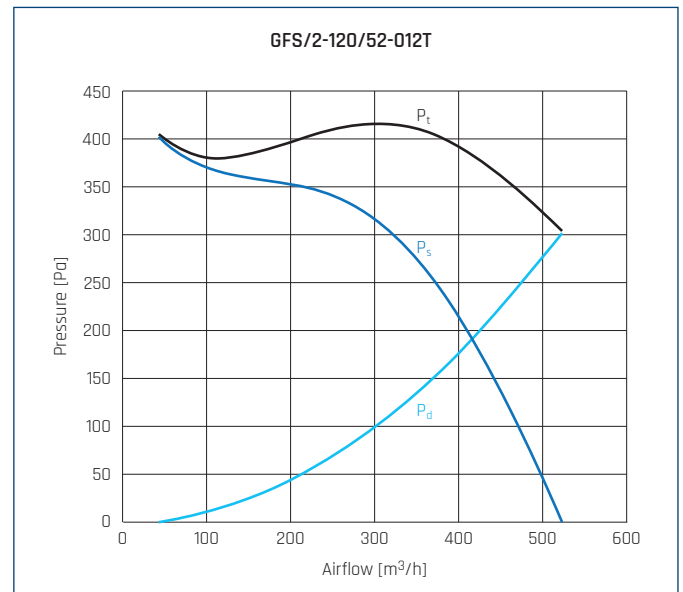
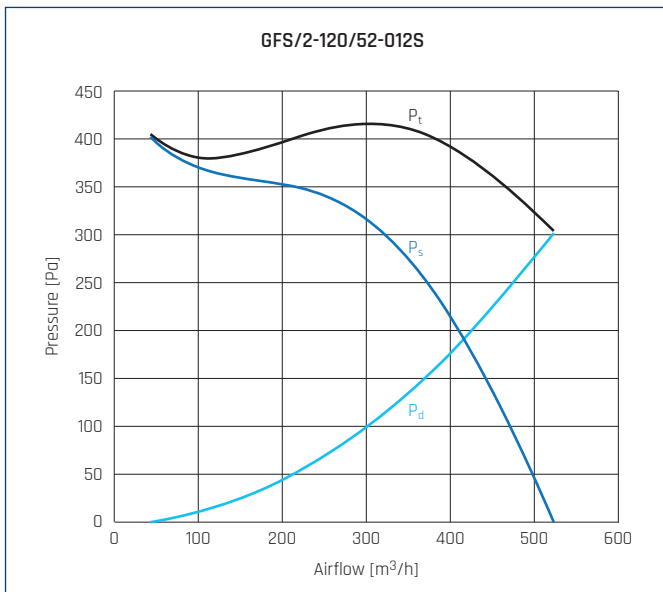
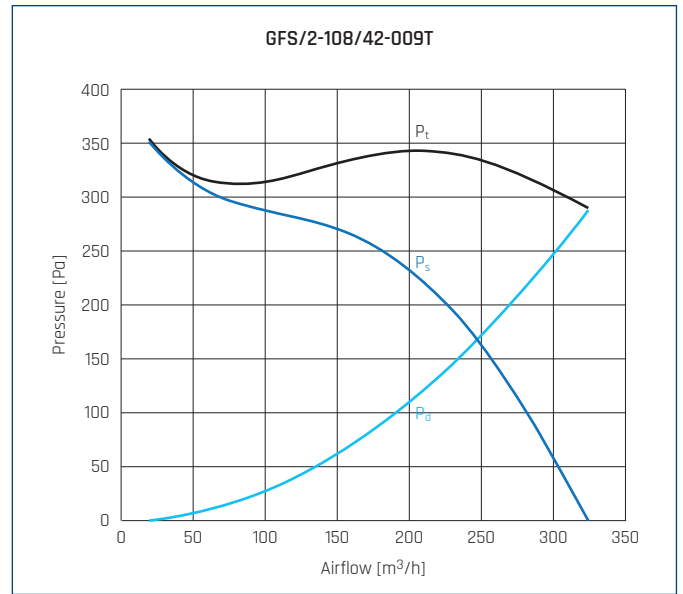
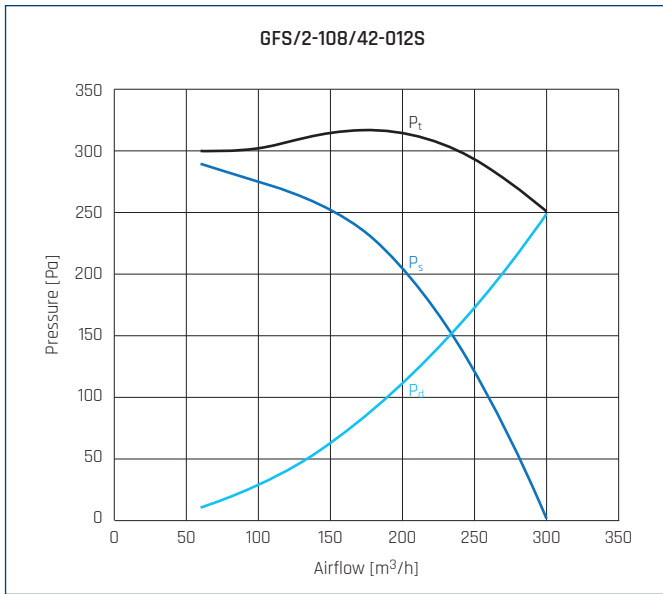
* sound pressure measured at a distance of 1,5m from the fan at Q=2/3*Qmax.

PERFORMANCE CURVES

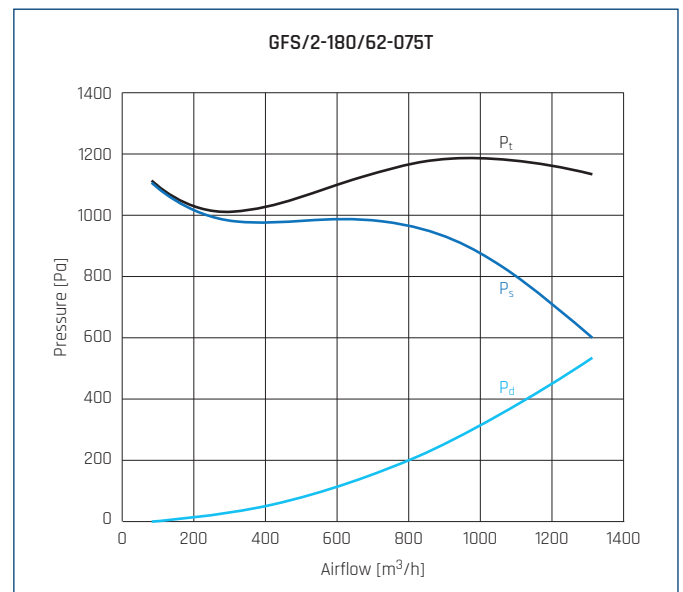
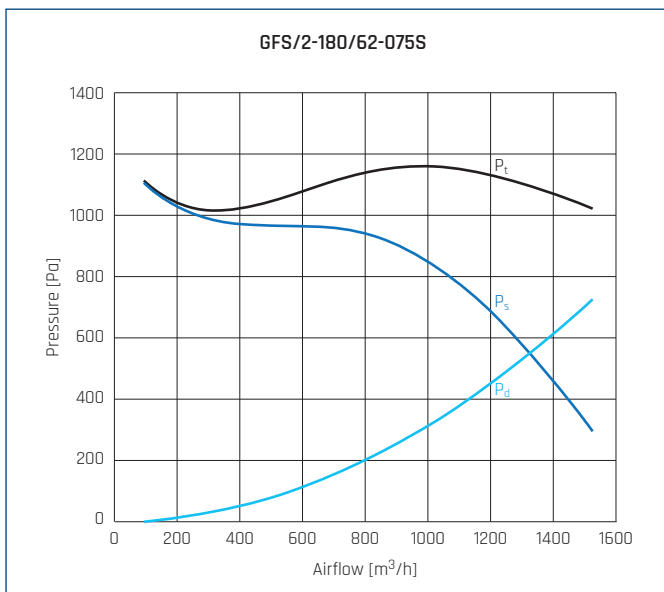
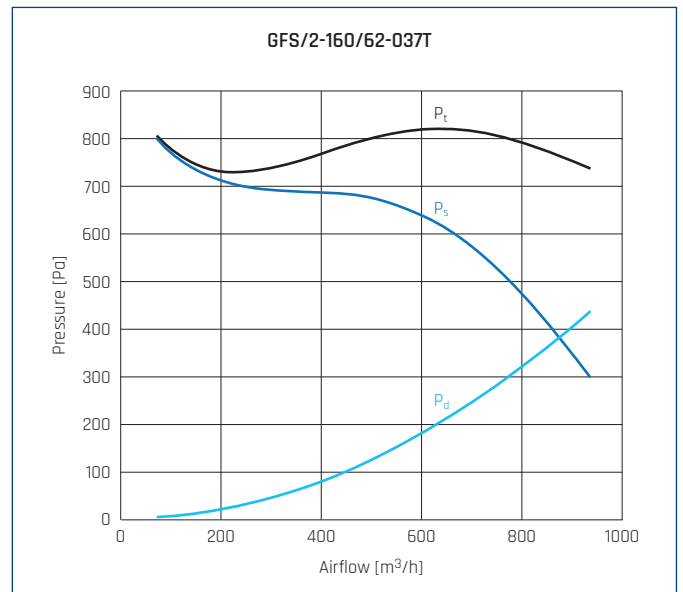
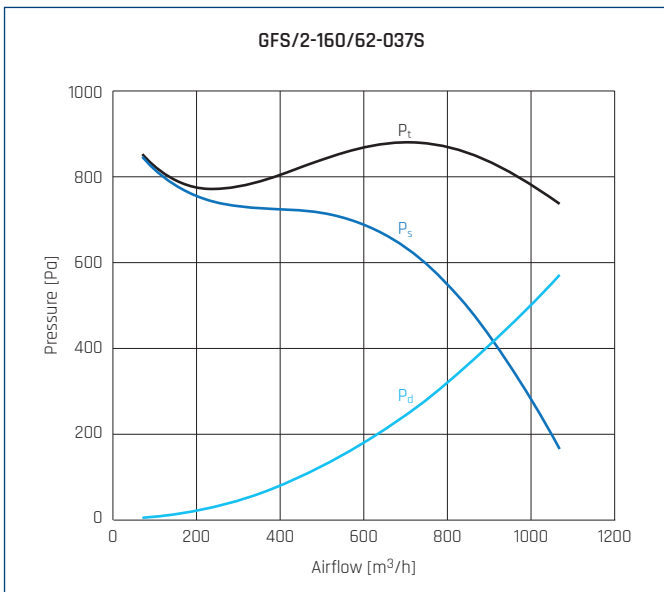
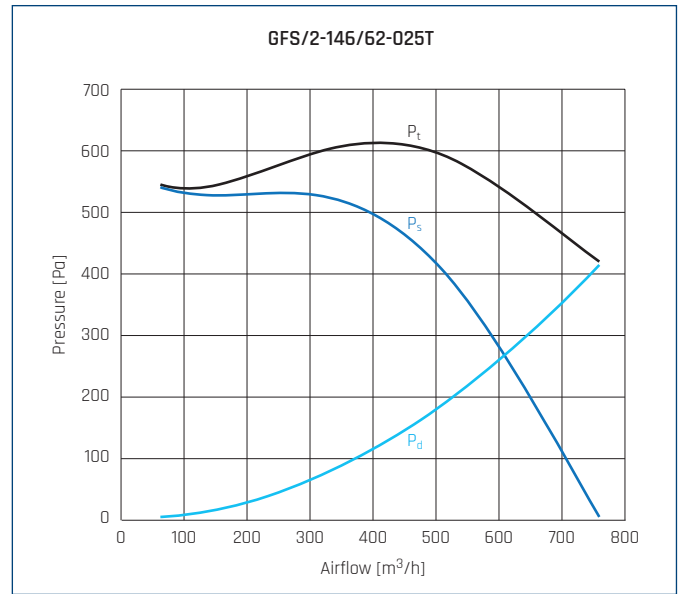
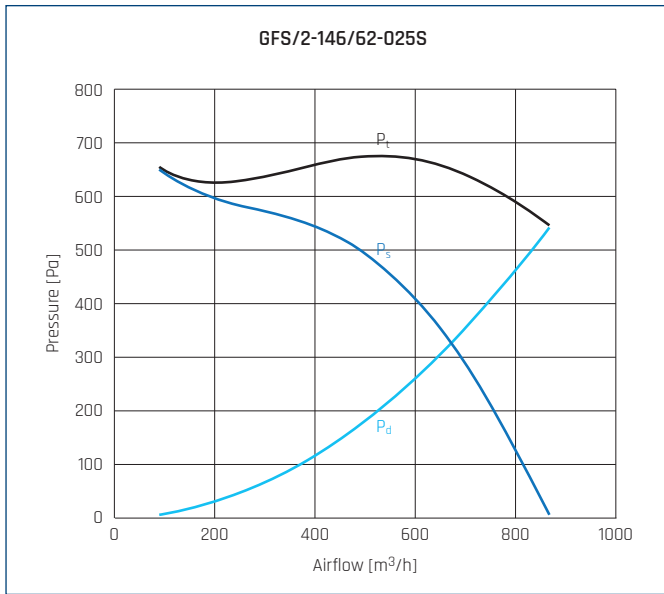
- p_t - total pressure
- p_s - static pressure
- p_d - dynamic pressure



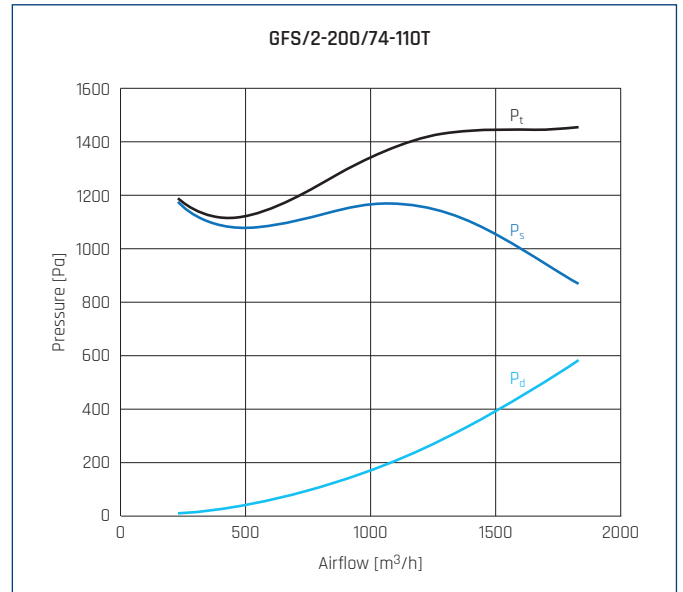
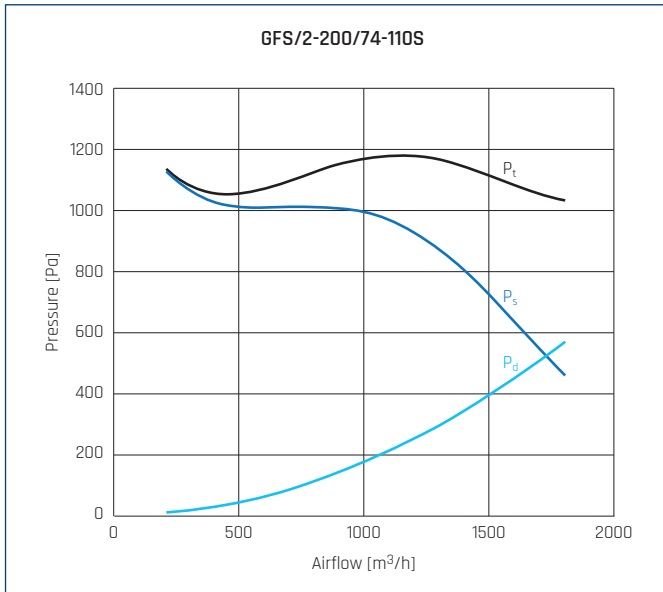
PERFORMANCE CURVES



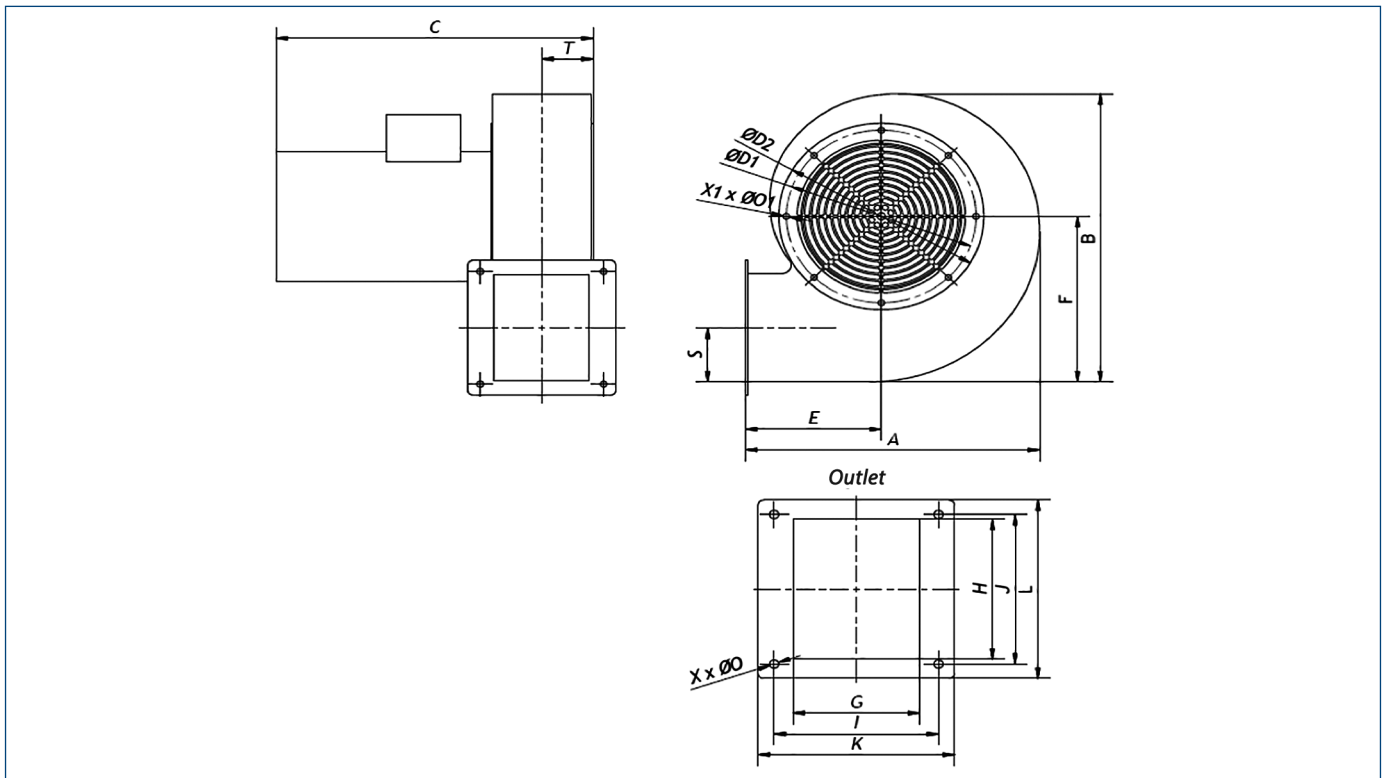
PERFORMANCE CURVES



PERFORMANCE CURVES

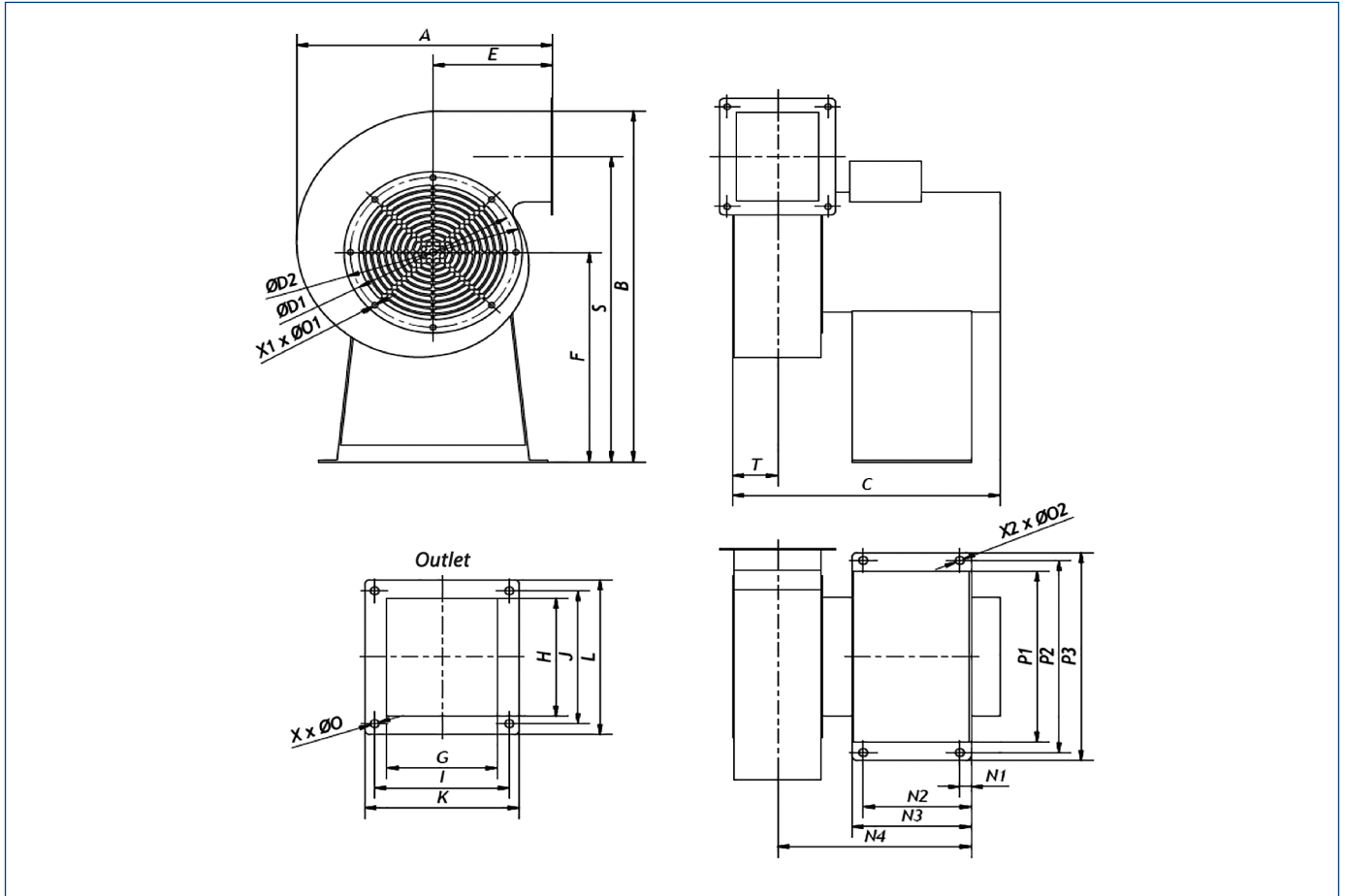


DIMENSIONS [mm]



Type	A	B	C	$\varnothing D1$	$\varnothing D2$	E	F	G	H	I	J	K	L	S	T	X	$\varnothing 0$	X1	$\varnothing 01$
GFS/2-97/42-003S	197	200	238	125	135	99	115	64	64	76	76	90	90	34	36	4	6	8	M4
GFS/2-97/42-005T	197	200	238	125	135	99	115	64	64	76	76	90	90	34	36	4	6	8	M4
GFS/2-108/42-009T	197	200	238	125	135	99	115	64	64	76	76	90	90	34	36	4	6	8	M4
GFS/2-120/52-012S	217	222	264	138	150	105	127	81	80	96	96	114	114	42	44	4	7	8	M4
GFS/2-120/52-012T	217	222	264	138	150	105	127	81	80	96	96	114	114	42	44	4	7	8	M4
GFS/2-133/62-025S	238	245	288	150	160	113	142	91	88	115	105	130	120	45	49	4	7	6	4
GFS/2-133/62-025T	238	245	288	150	160	113	142	91	88	115	105	130	120	45	49	4	7	6	4
GFS/2-146/62-025S	256	270	304	165	175	121	155	91	87	115	105	130	120	45	49	4	7	8	M5
GFS-2-180/62-075S	310	334	334	200	216	143	191	100	122	130	130	155	155	63	54	4	7	8	M5
GFS/2-180/62-075T	310	334	334	200	216	143	191	100	122	130	130	155	155	63	54	4	7	8	M5
GFS-2-200/74-110S	368	374	399	222	235	180	213	119	137	143	160	163	180	70	64	4	7	8	M5
GFS/2-200/74-110T	368	374	399	222	235	180	213	119	137	143	160	163	180	70	64	4	7	8	M5

DIMENSIONS [mm]



Type	A	B	C	ØD1	ØD2	E	F	G	H	I	J	K	L	N1	N2	N3	N4	P1	P2	P3	S	T	X	Ø0	X1	Ø01	X2	Ø02
GFS/2-160/62-037S	279	422	292	194	180	130	252	90	107	110	120	126	140	13	118	130	211	206	232	251	367	49	4	7	8	M5	4	9
GFS/2-160/62-037T	279	422	292	194	180	130	252	90	107	110	120	126	140	13	118	130	211	206	232	251	367	49	4	7	8	M5	4	9