



APPLICATION

The filtration units are intended for non-flammable dust, volatile pollutants (except for sticky, flammable or easily binding substances) found in industrial and building sites.

Renov R series devices can operate as an extractor – pushing filtered air via duct.

DESIGN

The series is designed with care of efficient service, durability and easy transportation.

Every unit is equipped with service lid providing clear components view.

Filters positioning system enable non-problematic assembly – without any tools.

Each of Renov R series devices has 3 stage filtration:

- I - Pre-filter – made of aluminium, prevents large object from entering filtering chamber.
- II - Coarse G4* filter – clears air from dust.
- III - Absolute HEPA H13* filter – guarantees filtration at the level of 99,95%.

Pre-filter can be washed using water and mild detergent.

G4 filter can be vacuumed or shaken off.

The purification unit is equipped with clogging LED indicator.

The units are fitted with 230V socket for supplying additional devices such as power tools.

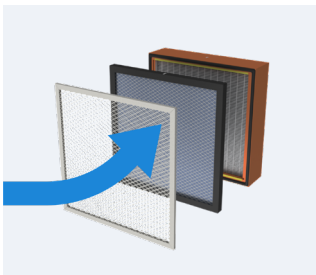
Because of bigger dimensions Renov R 1000 and 2000 design include wheel set and telescopic handle facilitating transport.

Optionally different painting color - RAL.

MOTOR

- Efficient, 2-speed AC voltage controlled motors.

* Filtration efficiency according to norms: PN-EN ISO 16890, PN-EN 1822-1, PN-EN ISO 29463-4.



3-stage filtration offering optimal filtration quality.



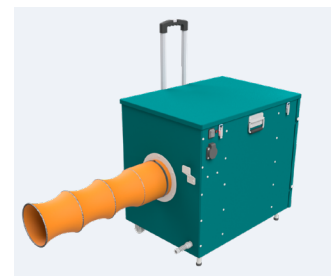
Telescopic handle and wheel set facilitating transport.



Fitted in independent power socket with maximum load limit of 1500W.



Easily-removable service lid.



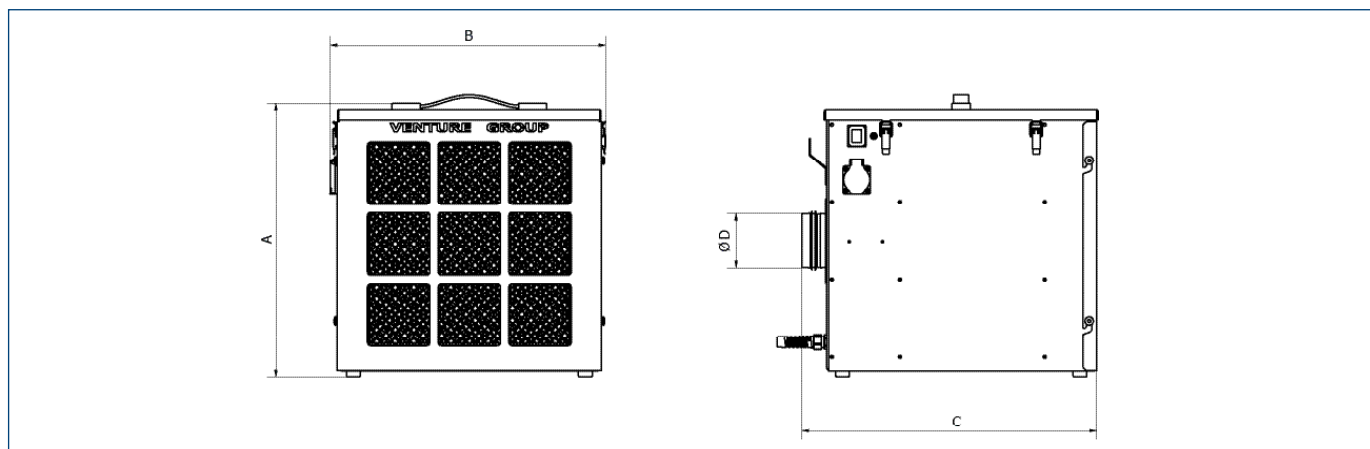
Option of air extraction via duct.

TECHNICAL CHARACTERISTICS

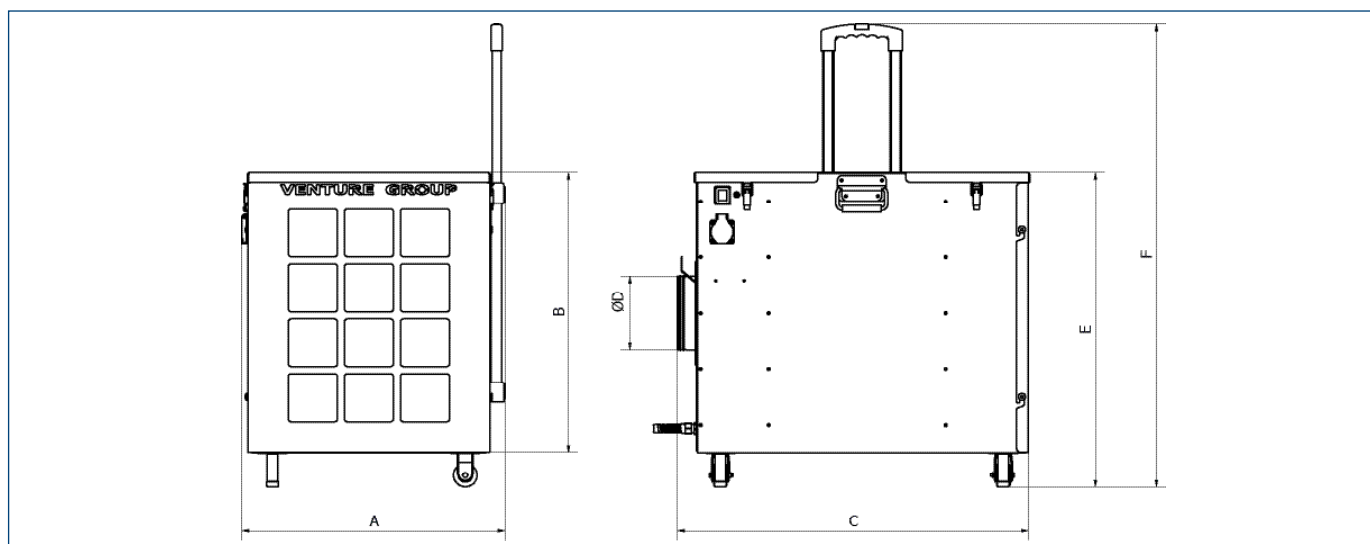
Type	airflow		power	voltage	sound pressure level*	weight	art. number
	[m ³ /h]						
	1	2					
Renov R 500	200	500	150	230	50	18	70010650
Renov R 1000	500	1000	270	230	52	30	70010652
Renov R 2000	1600	2200	460	230	62	45	70010654

*Pomiar wykonany na najwyższym biegu z odległości 1,5m.

DIMENSIONS [mm]



Type	A	B	C	ØD
Renov R 500	495	500	535	100



Type	A	B	C	ØD	E	F
Renov R 1000	550	600	740	160	675	995
Renov R 2000	650	750	750	200	825	1145

FILTER ARTICLE NUMBERS

Type	Pre-filter	G4 filter	H13 filter
Renov R 500	91020334	91020333	91020332
Renov R 1000	91020339	91020337	91020335
Renov R 2000	91020340	91020338	91020336